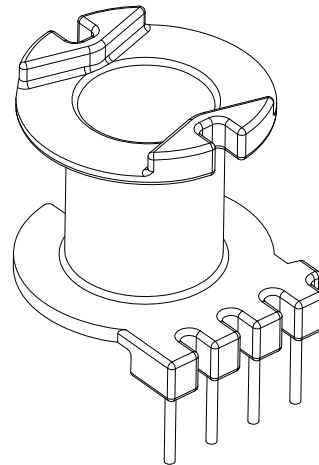
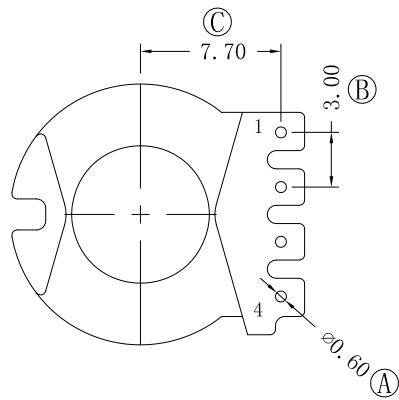
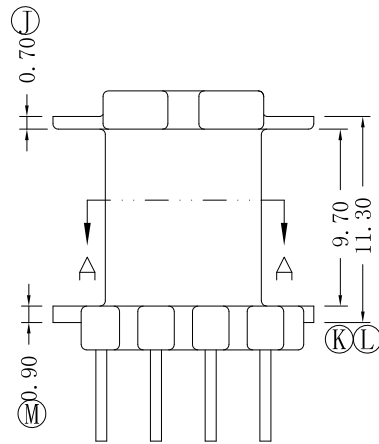
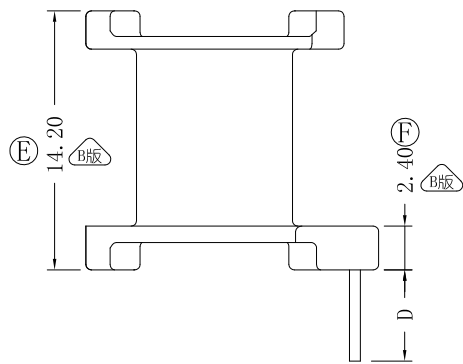


SECTION A-A



| REV. | REVISIONS   | REC. | DATE.     | REV. | REVISIONS | REC. | DATE. |
|------|---|------|-----------|------|-----------|------|-------|
| B    | 1. F尺寸由2.6mm改到2.4mm<br>2. H尺寸由8.70mm改到8.55mm<br>3. I尺寸由7.55mm改到7.40mm |      | 2012.9.27 |      |           |      |       |

|   |     |              |                    |        |               |                   |          |
|---|-----|--------------|--------------------|--------|---------------|-------------------|----------|
| DRAWN   | HQH | TOLERANCES   |                    | ANGLE: | TITLE:        |                   |          |
| DRAFTED BY  | HQP | 0<L≤4 ±0.1   | PIN PITCH<br>±0.20 | ±1°    | RM7           |                   |          |
| CHECKED   | HQP | 4<L≤16 ±0.2  |                    | UNIT:  | BOBBIN        | PHENOLIC          | UL REC.  |
| APPROVED BY   |     | 16<L≤63 ±0.3 |                    | MM     | MATERIAL:     |                   | UL 94V-0 |
|   |     | 壁厚 ±0.15     |                    | SCALE: | TERMINAL MAT: | PIN TENSION LOAD: |          |
|   |     |              |                    | 1/1    | CP WIRE       | 1.0kg             |          |
| <b>MX</b> 东莞市铭兴电子有限公司<br>DONG GUAN MING XING ELECTRONICS CO., LTD<br>TEL:0769-86369622 86011822 FAX:0769-86369611 |     |              |                    | DATE:  | 2012.8.30     | DRAWING NO:       | MX-0703  |
|   |     |              |                    |        |               | REV.              | B        |