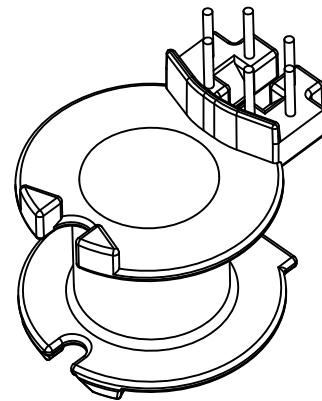
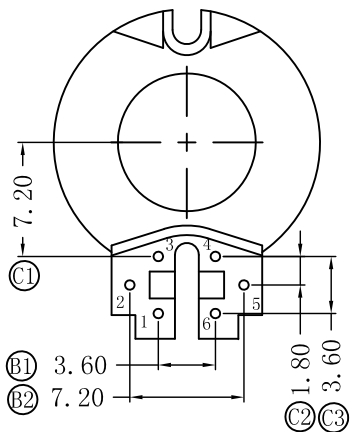
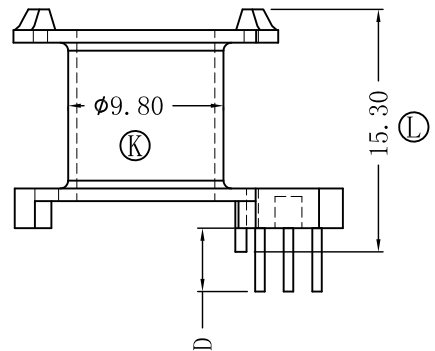
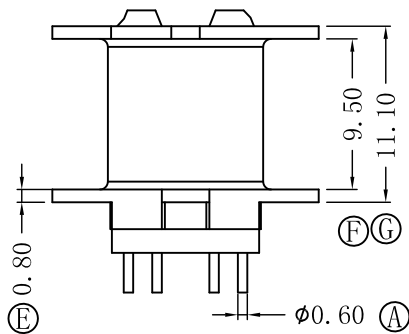
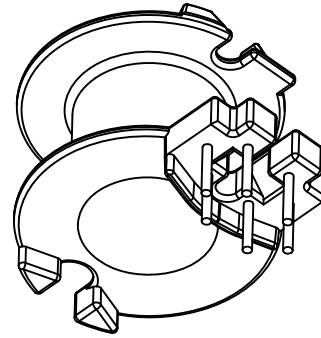
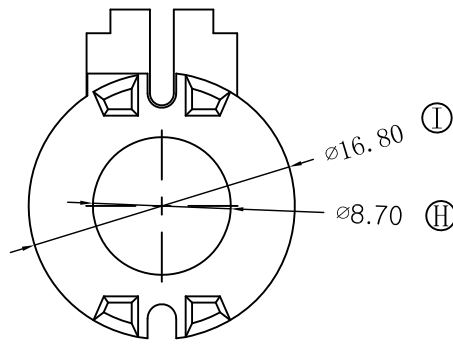


与MX-0814产品绕线幅宽不同



REV.	REVISIONS	REC.	DATE.	REV.	REVISIONS	REC.	DATE.
B	产品顶部挡墙加一条直边做进胶口		2012.11.22				
C	产品PIN台处增加挡墙		2015.12.26				

DRAWN	HQH	TOLERANCES		ANGLE:	TITLE: RM-8		
DRAFTED BY		0<L≤4 ±0.1	PIN PITCH ±0.20	±1°	BOBBIN MATERIAL: PHENOLIC		
CHECKED	HZP	4<L≤16 ±0.2		UNIT: MM	UL REC.		PIN TENSION LOAD:
APPROVED BY		16<L≤63 ±0.3	UL 94V-0				
壁 厚 ±0.15				SCALE: 1/1	TERMINAL MAT: CP WIRE		DRAWING NO: MX-0814-1
MX 东莞市铭兴电子有限公司 DONG GUAN MING XING ELECTRONICS CO., LTD TEL:0769-86369622 86011822 FAX:0769-86369611				DATE: 2010.09.23	REV. C		