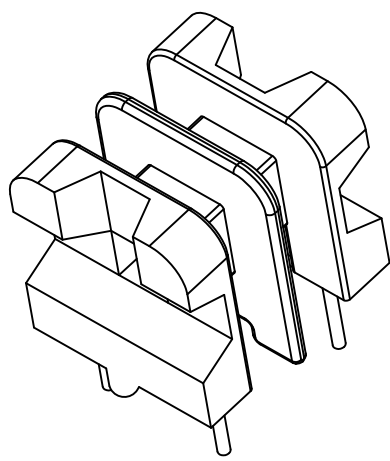
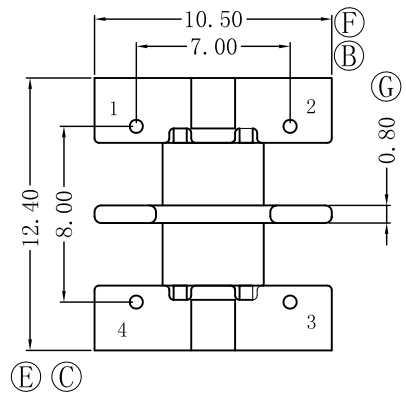
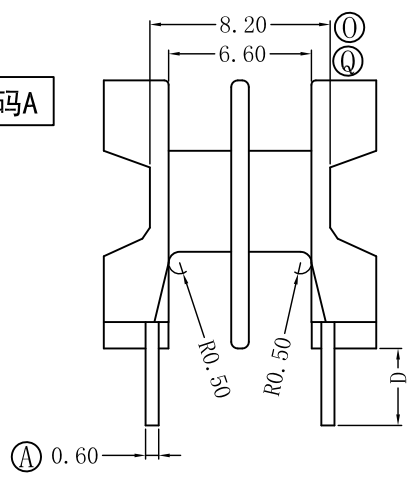


防呆字码A



REV.	REVISIONS	REC.	DATE.	REV.	REVISIONS	REC.	DATE.

DRAWN DRAFTED BY	WL	TOLERANCES		ANGLE:	TITLE:		
		0<L≤4 ±0.1	PIN PITCH	±1°	UU-9.8		
CHECKED APPROVED BY	HZP	4<L≤16 ±0.2		±0.20	UNIT:	BOBBIN MATERIAL:	UL REC.
		16<L≤63 ±0.3	MM		PHENOLIC	UL 94V-0	
MX 东莞市铭兴电子有限公司 DONG GUAN MING XING ELECTRONCTS CO., LTD	TEL: 0769-86369622 FAX: 0769-86369611	壁厚 ±0.15		SCALE:	TERMINAL MAT:	PIN TENSION LOAD:	
				1/1	CP WIRE	1.0kg	
MX 靖江市铭翔电子有限公司 JING JIANG MING XIANG ELECTRONCTS CO., LTD	TEL: 0523-84523228 FAX: 0523-84521028			DATE:	DRAWING NO:	REV.	
				2010.11.14	MX-0901-1	A	