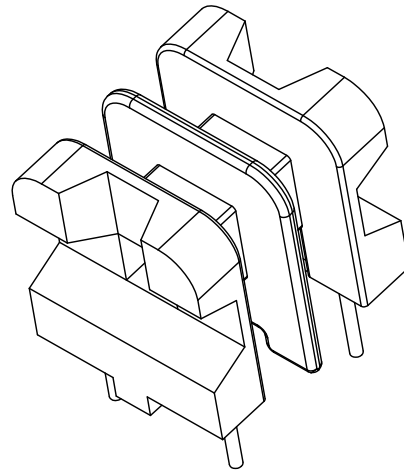
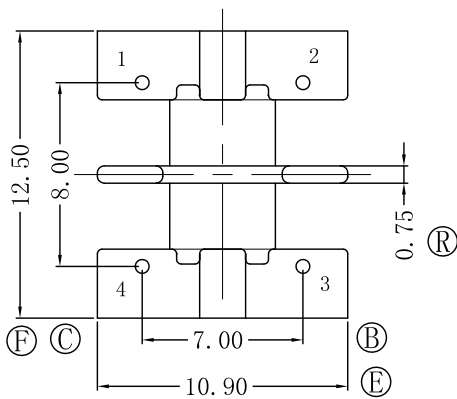
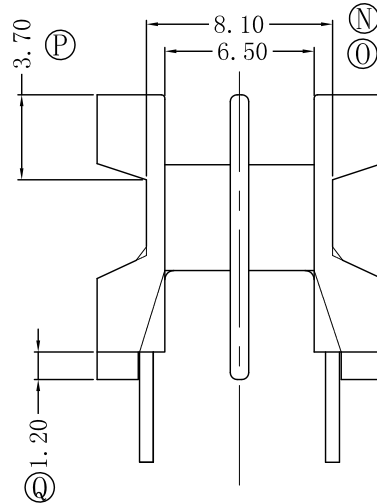
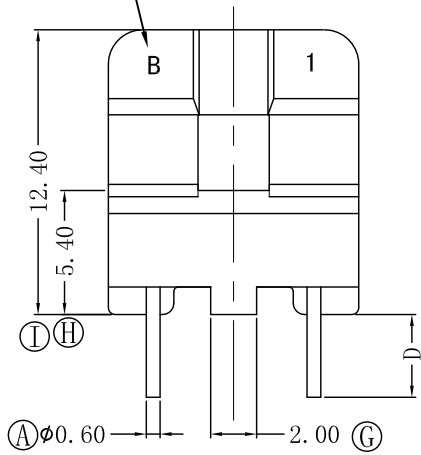


A-A SECTION

防呆字码B



REV.	REVISIONS	REC.	DATE.	REV.	REVISIONS	REC.	DATE.
B	PIN根部增加0.4和R0.4加强肋。		2009.8.4				
C	中间叶片改成PIN台凸点一样高，		2011.5.9				

DRAWN DRAFTED BY	HQH	TOLERANCES		ANGLE:	TITLE:		
		0<L≤4 ±0.1	PIN PITCH	±1°	UU-9.8		
CHECKED APPROVED BY	HZP	4<L≤16 ±0.2		±0.20	UNIT:	BOBBIN	UL REC.
		16<L≤63 ±0.3	MM		MATERIAL:	PHENOLIC	UL 94V-0
		壁厚 ±0.15		SCALE:	TERMINAL MAT:	PIN TENSION LOAD:	
				1/1	CP WIRE	1.0kg	
MX 东莞市铭兴电子有限公司 DONG GUAN MING XING ELECTRONICS CO., LTD			TEL: 0769-86369622 FAX: 0769-86369611		DATE:	DRAWING NO:	REV.
MX 铭兴电子有限公司 (靖江分公司) JING JIANG MING XING ELECTRONICS CO., LTD			TEL: 0523-84523228 FAX: 0523-84521028		2007.04.21	MX-0902	C