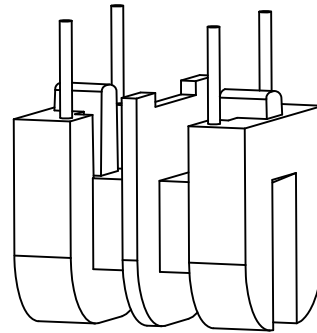
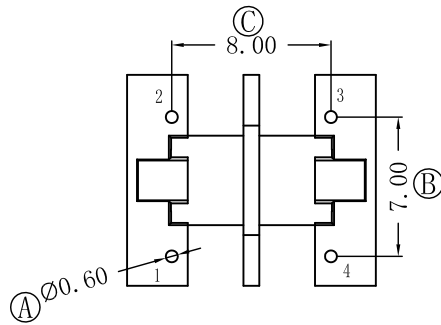


防混料字码A



REV.	REVISIONS REC.	DATE.	REV.	REVISIONS REC.	DATE.
B	增加P尺寸3.00	2010.10.28			

DRAWN	HQH	TOLERANCES		ANGLE:	TITLE:	
DRAFTED BY		0<L≤4 ±0.1	PIN PITCH ±0.20	±1°	UU-9.8	
CHECKED		4<L≤16 ±0.2		UNIT: MM	BOBBIN MATERIAL:	UL REC.
APPROVED BY	HZP	16<L≤63 ±0.3			PHENOLIC	UL 94V-0
		壁厚 ±0.10			TERMINAL MAT:	PIN TENSION LOAD:
MX 东莞市铭兴电子有限公司 DONG GUAN MING XING ELECTRONCTS CO., LTD		TEL: 0769-86369622 FAX: 0769-86369611	SCALE: 1/1		CP WIRE	1.2kg MIN
MX 靖江市铭翔电子有限公司 JING JIANG MING XIANG ELECTRONCTS CO., LTD		TEL: 0523-84523228 FAX: 0523-84521028		DATE:	DRAWING NO:	REV.
				2010.3.21	MX-0907-1	B