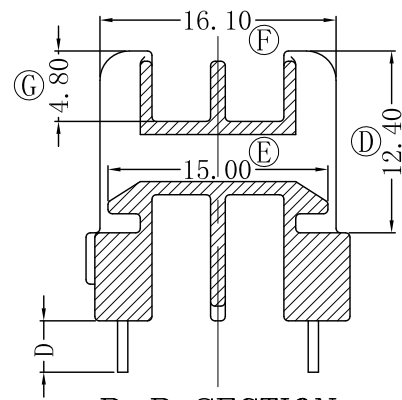
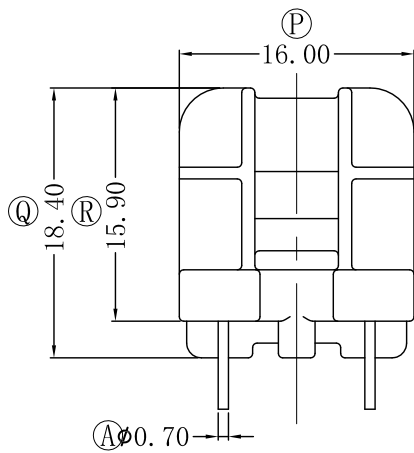
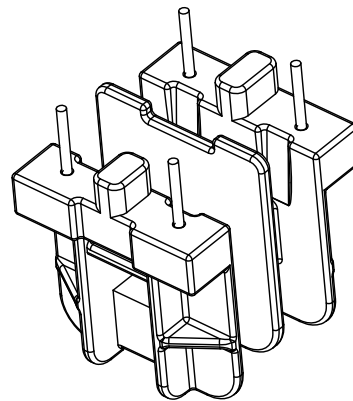
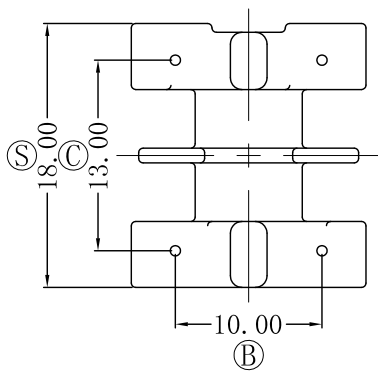


A-A SECTION



B-B SECTION



REV.	REVISIONS	REC.	DATE.	REV.	REVISIONS	REC.	DATE.
B	增加尺寸F		2008.4.24				

DRAWN DRAFTED BY	LWB	TOLERANCES		ANGLE:	TITLE: UU-10.5		
		0<L≤4 ±0.1	PIN PITCH ±0.20	±1°			
CHECKED APPROVED BY	HZP	4<L≤16 ±0.2			UNIT:	BOBBIN MATERIAL:	UL REC.
		16<L≤63 ±0.3	MM		PHENOLIC	UL 94V-0	
SCALE: 1/1				TERMINAL MAT:	PIN TENSION LOAD:		
				CP WIRE	1.5kg MIN		
MX 东莞市铭兴电子有限公司 DONG GUAN MING XING ELECTRONCTS CO., LTD TEL:0769-86369622 86011822 FAX:0769-86369611				DATE:	DRAWING NO:	REV.	
				2007.10.17	MX-1002-1	B	