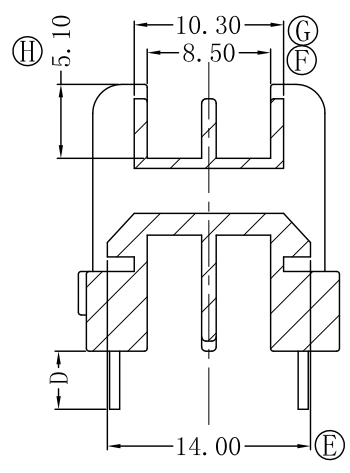
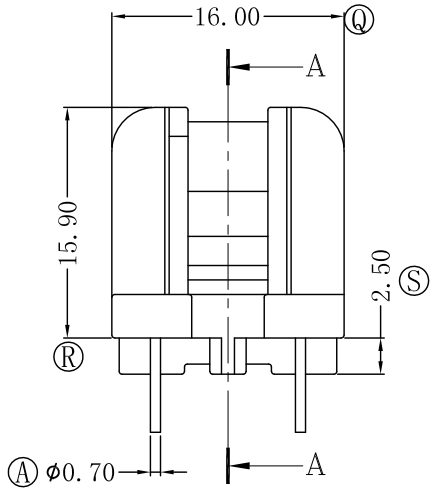
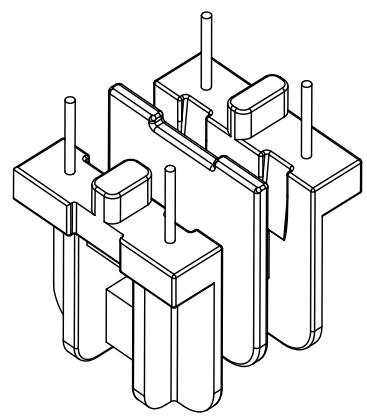
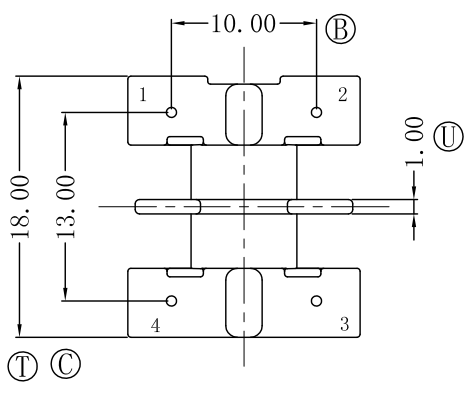


B-B SECTION



A-A SECTION



REV.	REVISIONS	REC.	DATE.	REV.	REVISIONS	REC.	DATE.

DRAWN DRAFTED BY	LWB	TOLERANCES		ANGLE:	TITLE:		
		0<L≤4 ±0.1	PIN PITCH ±0.20	±1°	UU-10.5		UL REC.
CHECKED APPROVED BY	HZP	4<L≤16 ±0.2		UNIT: MM	BOBBIN MATERIAL:	PHENOLIC	UL 94V-0
		16<L≤63 ±0.3	TERMINAL MAT:		CP WIRE	PIN TENSION LOAD:	1.5kg MIN
MX 东莞市铭兴电子有限公司 DONG GUAN MING XING ELECTRONICS CO., LTD TEL:0769-86369622 86011822 FAX:0769-86369611				SCALE: 1/1	DATE: 2006.09.12	DRAWING NO: MX-1002	REV. A