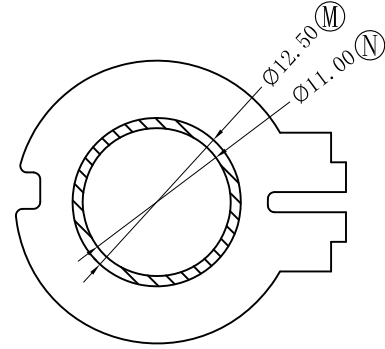
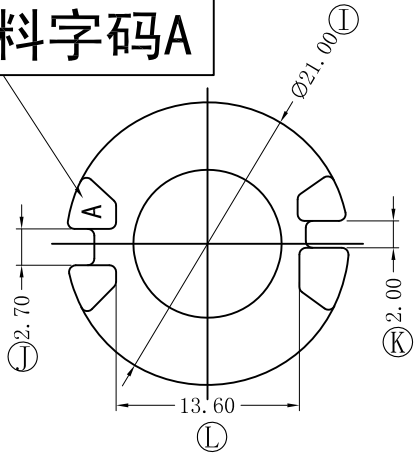
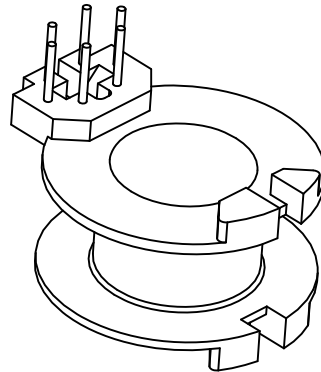
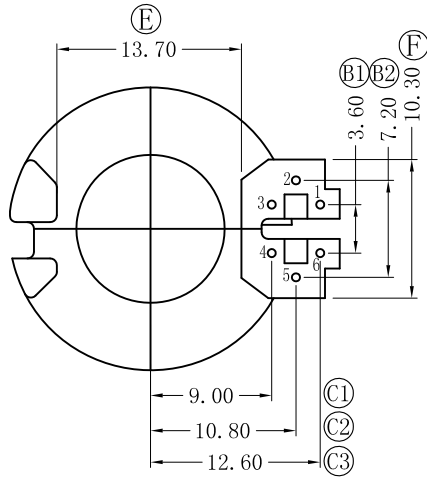
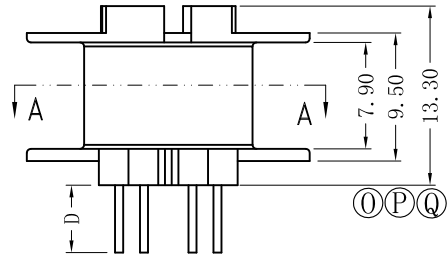
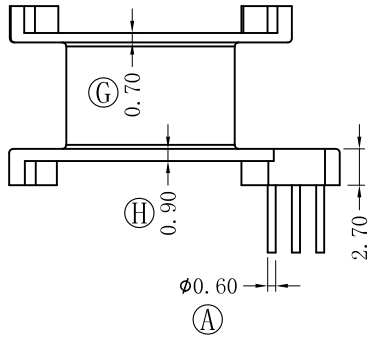


防混料字码A



SECTION A-A



REV.	REVISIONS	REC.	DATE.	REV.	REVISIONS	REC.	DATE.

DRAWN DRAFTED BY	HQH	TOLERANCES		ANGLE:	TITLE:		
		0<L≤4 ±0.1	PIN PITCH	±1°	RM-10		UL REC.
CHECKED APPROVED BY	HZP	4<L≤16 ±0.2		±0.20	UNIT:	BOBBIN MATERIAL:	UL 94V-0
		16<L≤63 ±0.3	MM		PHENOLIC	PIN TENSION LOAD:	
壁 厚 ±0.15				SCALE:	TERMINAL MAT:	1.0kg	
MX 东莞市铭兴电子有限公司				1/1	CP WIRE	DRAWING NO:	
DONG GUAN MING XING ELECTRONICS CO., LTD				DATE:	2011.07.22		MX-1023
TEL:0769-86369622 86011822 FAX:0769-86369611				REV. A			