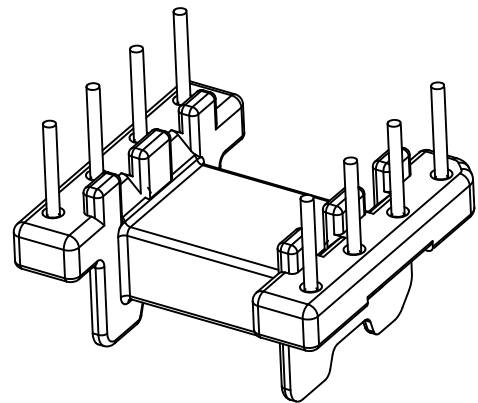
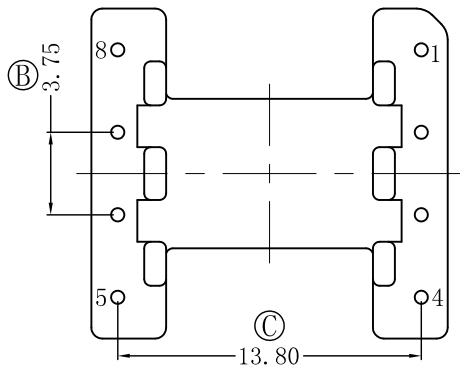
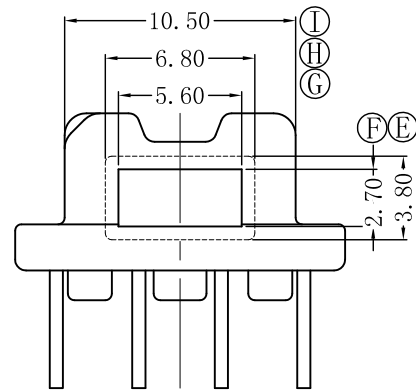
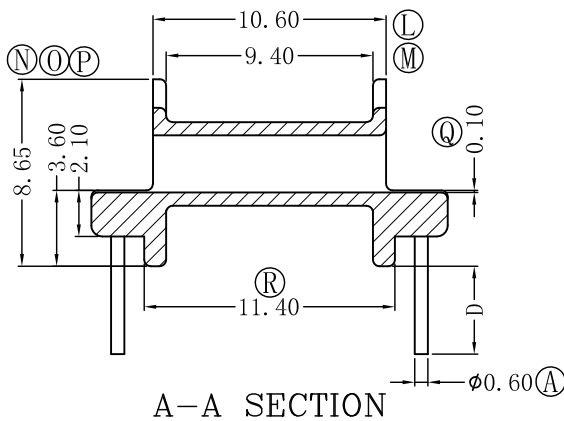


防混料字码A



REV.	REVISIONS	REC.	DATE.	REV.	REVISIONS	REC.	DATE.
B	F尺寸由2.6改为2.7MM.		2010.01.11				
C	修改O、P、Q尺寸.		2010.06.14				
D	N、O由8.5mm、3.45mm修改为8.65mm、3.6mm		2010.08.27				

DRAWN DRAFTED BY	ZKZ	TOLERANCES		ANGLE:	TITLE:		
		0<L≤4 ±0.1	PIN PITCH	±1°	EFD-15		
CHECKED APPROVED BY	HZP	4<L≤16 ±0.2		±0.20	UNIT:	BOBBIN MATERIAL:	UL REC.
		16<L≤63 ±0.3	MM		PHENOLIC	UL 94V-0	
SCALE:				1/1	TERMINAL MAT:	PIN TENSION LOAD:	
					CP WIRE	1.2kg MIN	
DATE:				2009.02.19	DRAWING NO:	REV.	
					MX-1506-1	D	

MX 东莞市铭兴电子有限公司
DONG GUAN MING XING ELECTRONICS CO., LTD
TEL:0769-86369622 86011822 FAX:0769-86369611