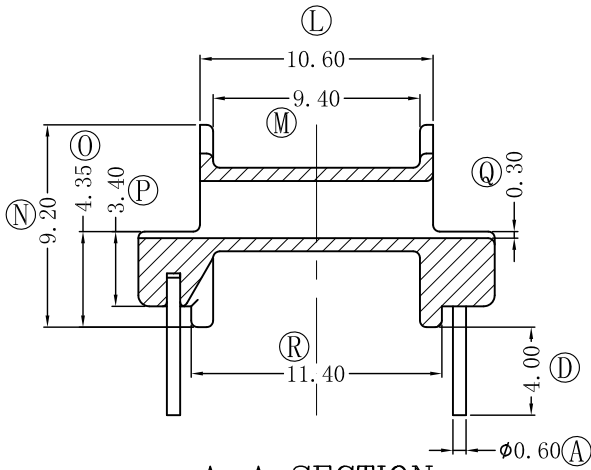
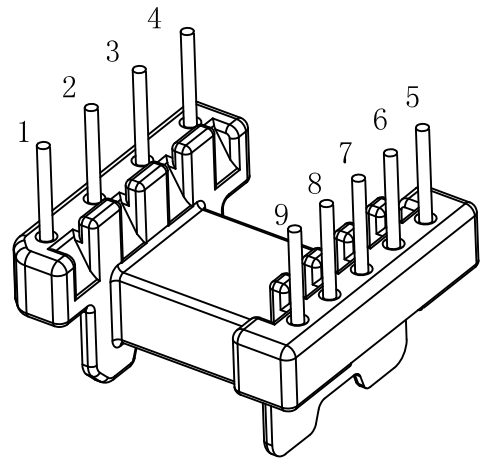
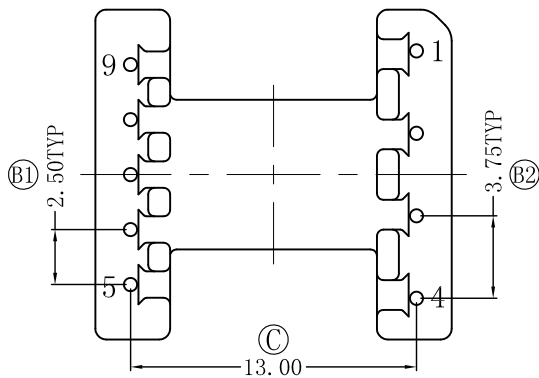
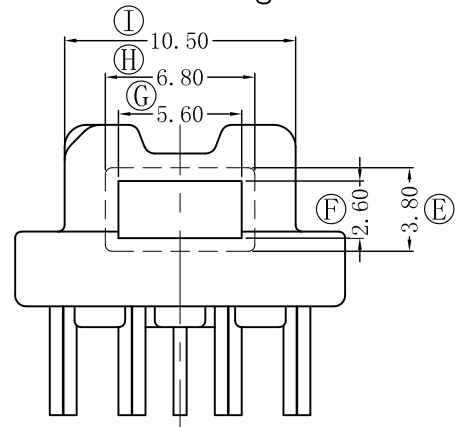


此为第一PIN角



A-A SECTION



REV.	REVISIONS	REC.	DATE.	REV.	REVISIONS	REC.	DATE.

DRAWN	HSW	TOLERANCES		ANGLE:	TITLE:		
DRAFTED BY		0<L≤4 ±0.1	PIN PITCH ±0.20	±1°	EFD-15 (4+5)		
CHECKED	HZP	4<L≤16 ±0.2		UNIT:	BOBBIN	PHENOLIC	UL REC.
APPROVED BY		16<L≤63 ±0.3	MM	MATERIAL:	UL 94V-0		
壁 厚 ±0.15		SCALE:	TERMINAL MAT:	CP WIRE	PIN TENSION LOAD:		
MX 东莞市铭兴电子有限公司		1/1	DATE:		1.2kg MIN		
DONG GUAN MING XING ELECTRONCTS CO., LTD			2009.02.19		DRAWING NO:	REV.	
TEL:0769-86369622 86011822 FAX:0769-86369611			2009.02.19		MX-1507	A	