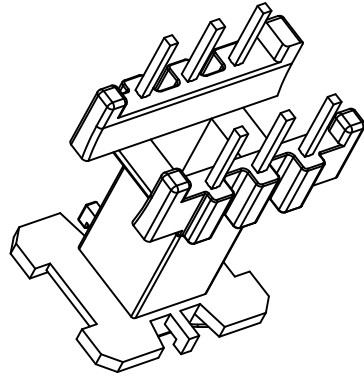
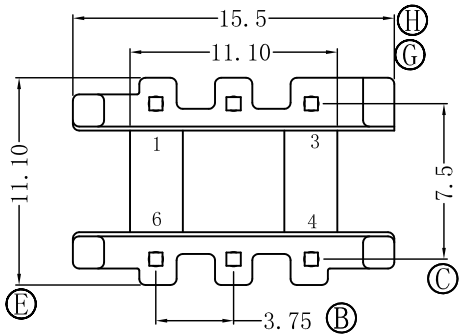
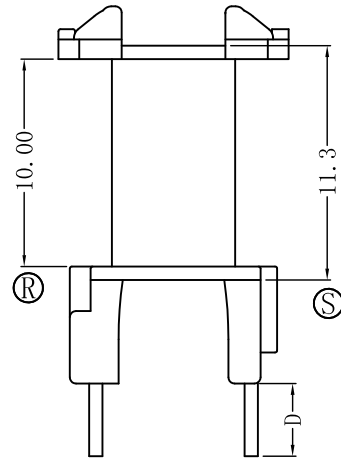
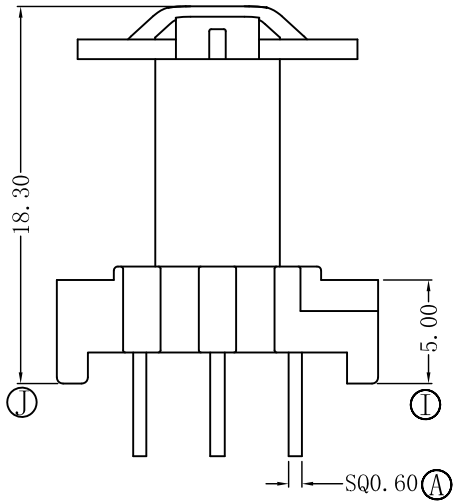


产品不同的有模穴号1-14号及有个A的字母，模针孔不一样大，



REV.	REVISIONS	REC.	REV.	REVISIONS	REC.

DRAWN	LWB	TOLERANCES		ANGLE:	TITLE:	
DRAFTED BY		0<L≤4 ±0.1	PIN PITCH	± 1°	EF-16	
CHECKED	HZP	4<L≤16 ±0.2		± 0.20	UNIT:	BOBBIN MATERIAL:
APPROVED BY		16<L≤63 ±0.3	MM		PET	UL 94V-0
MX 东莞市铭兴电子有限公司 DONG GUAN MING XING ELECTRONICS CO., LTD TEL:0769-86369622 86011822 FAX:0769-86369611				SCALE:	TERMINAL MAT:	PIN TENSION LOAD:
				2/1	CP WIRE	1.00kg MIN
				DATE:	DRAWING NO:	REV.
				2013. 4. 20	MX-1601-4A	A