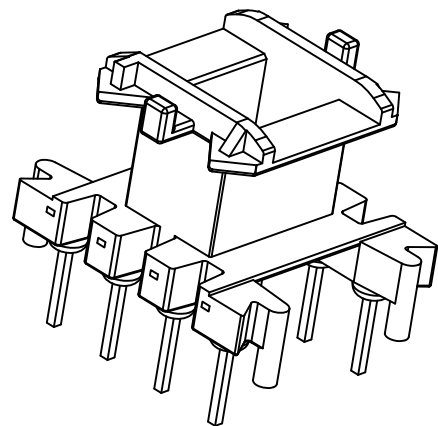
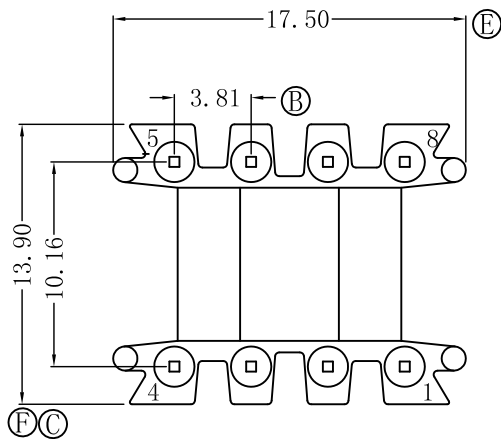
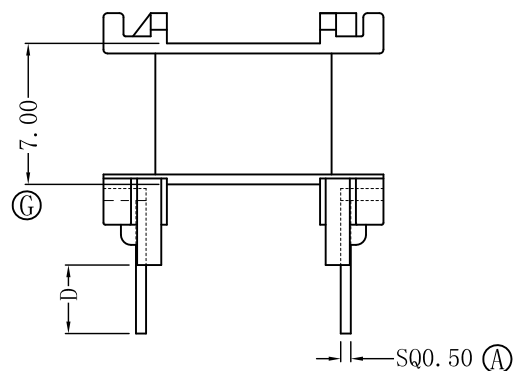
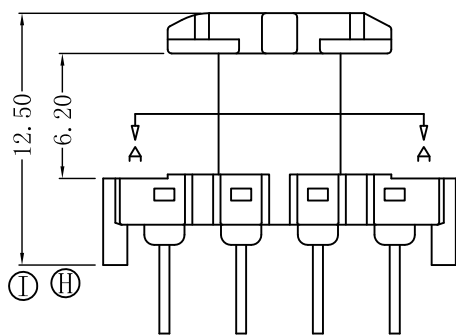


A-A



REV.	REVISIONS	REC.	DATE.	REV.	REVISIONS	REC.	DATE.
B	尺寸旁边有 (B) 标示出		13.01.28				

DRAWN DRAFTED BY	ZKZ	TOLERANCES		ANGLE:	TITLE:		
		0<L≤4 ±0.1	PIN PITCH ±0.20	±1°	EF-16		
CHECKED APPROVED BY	HZP	4<L≤16 ±0.2			UNIT:	BOBBIN MATERIAL:	UL REC.
		16<L≤63 ±0.3	MM		PA66	UL 94V-0	
MX 东莞市铭兴电子有限公司 DONG GUAN MING XING ELECTRONICS CO., LTD TEL:0769-86369622 86011822 FAX:0769-86369611				SCALE:	TERMINAL MAT:	PIN TENSION LOAD:	
				1/1	CP WIRE	1.0kg MIN	
				DATE:	DRAWING NO:	REV.	
				2009.05.24	MX-1602-1	B	