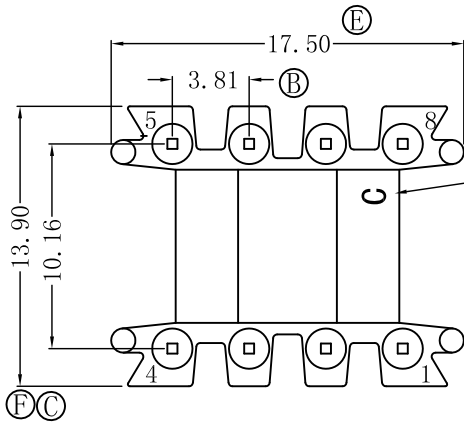
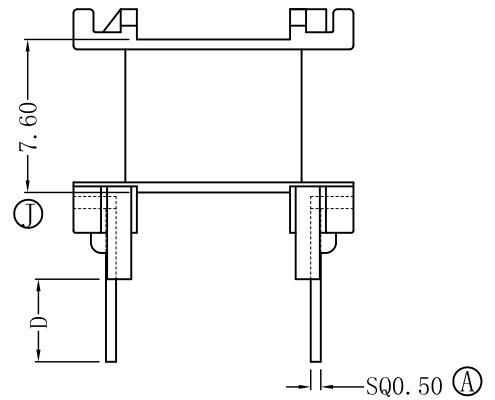
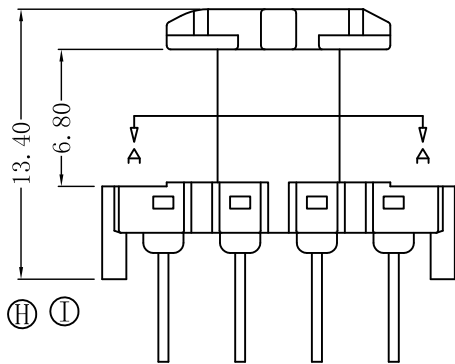
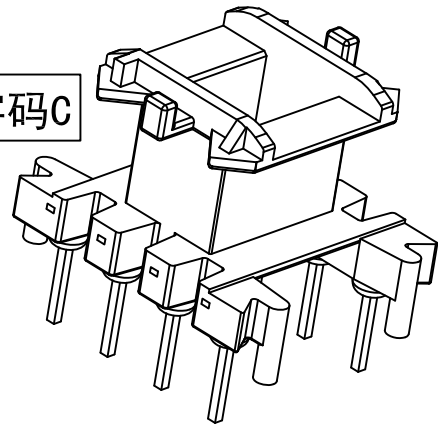


A-A



防混料字码C



REV.	REVISIONS	REC.	DATE.	REV.	REVISIONS	REC.	DATE.
B	尺寸旁边有 $\text{\textcircled{B}}$ 标示出		13.01.28				

DRAWN DRAFTED BY	ZKZ	TOLERANCES		ANGLE:	TITLE:		
		0<L≤4 ±0.1	PIN PITCH ±0.20	±1°	EF-16		UL REC.
CHECKED APPROVED BY	HZP	4<L≤16 ±0.2		壁 厚 ±0.15	UNIT:	BOBBIN MATERIAL:	UL 94V-0
		16<L≤63 ±0.3	MM		PA66	PIN TENSION LOAD:	
SCALE: 1/1				TERMINAL MAT:	DRAWING NO:		
				CP WIRE	MX-1602-3		REV.
MX 东莞市铭兴电子有限公司 DONG GUAN MING XING ELECTRONICS CO., LTD TEL:0769-86369622 86011822 FAX:0769-86369611				DATE:	DATE:		
				2011.06.20	2011.06.20		B