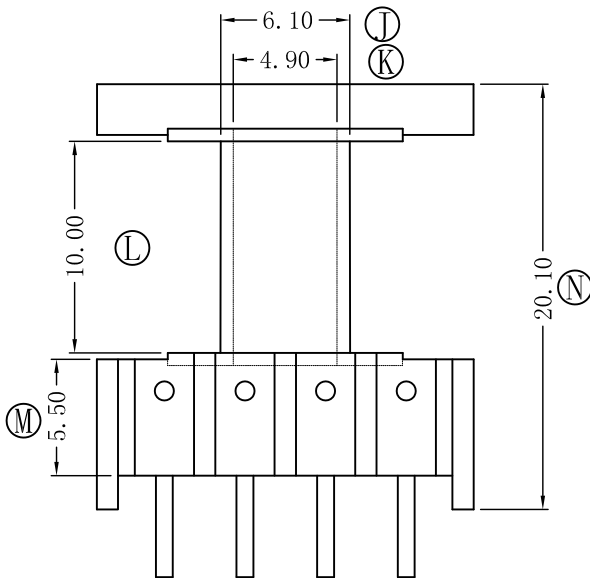
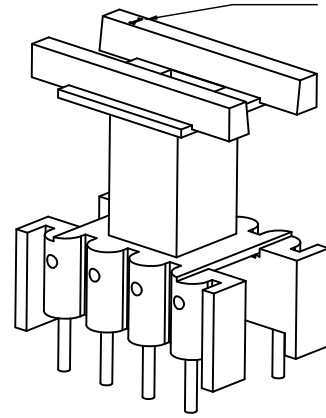
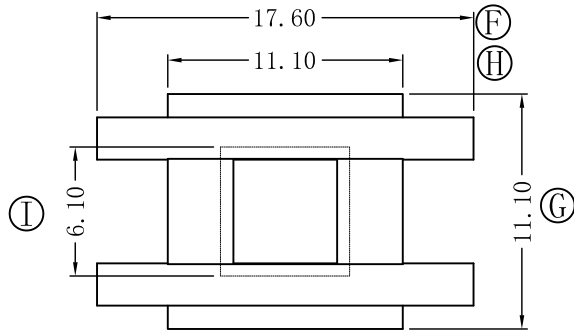
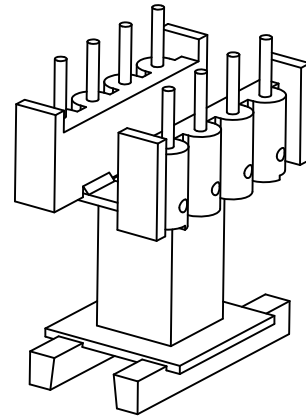
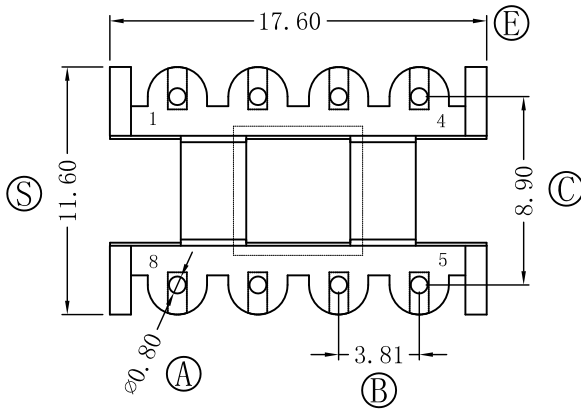
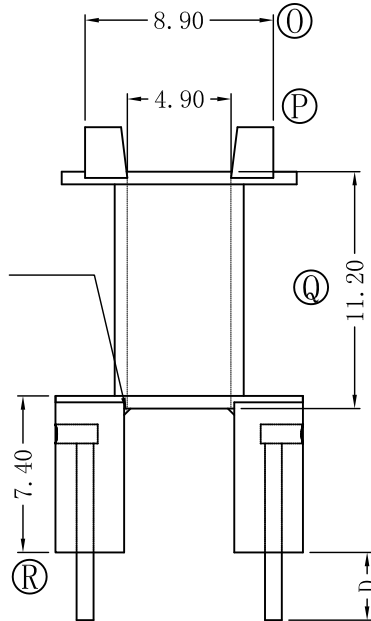


此处刻模号



$\triangle B$   
C角0.6



REV.	REVISIONS	REC.	DATE.	REV.	REVISIONS	REC.	DATE.
B	产品底部档墙根部加C角0.6MM		2014.10.20				
C	更改刻字位置		2014.11.4				

DRAWN DRAFTED BY	ZKZ	TOLERANCES		ANGLE:	TITLE:		
		0<L≤4 ±0.1	PIN PITCH ±0.20	±1°	EF-16		UL REC.
CHECKED APPROVED BY	HZP	4<L≤16 ±0.2			UNIT:	BOBBIN MATERIAL:	UL 94V-0
		16<L≤63 ±0.3	MM		PET	PIN TENSION LOAD:	
		壁厚 ±0.10		SCALE:	TERMINAL MAT:	1.5kg MIN	
				1/1	CP WIRE		
<b>MX</b> 东莞市铭兴电子有限公司 DONG GUAN MING XING ELECTRONCTS CO., LTD TEL:0769-86369622 86011822 FAX:0769-86369611				DATE:	DRAWING NO:	REV.	
				2009.03.07	MX-1626	C	