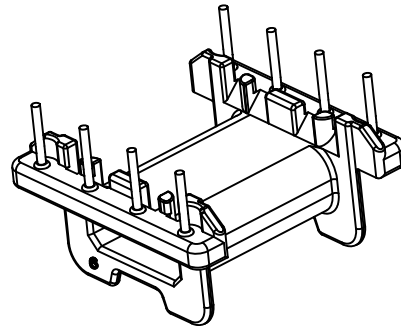
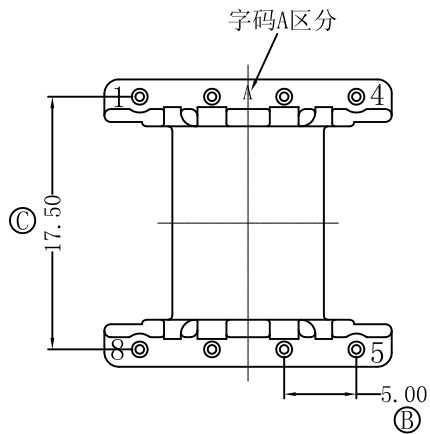
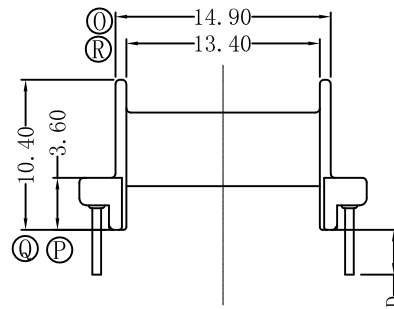
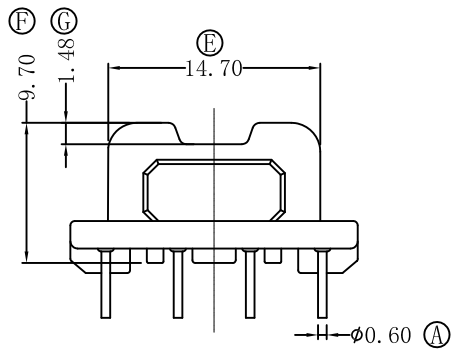


A-A SECTION



REV.	REVISIONS	REC.	DATE.	REV.	REVISIONS	REC.	DATE.

DRAWN	HZX	TOLERANCES		ANGLE:	TITLE:		
DRAFTED BY		0<L≤4 ±0.1	PIN PITCH	±1°	EFD-20		UL REC.
CHECKED	HXP	4<L≤16 ±0.2		±0.20	UNIT:	BOBBIN MATERIAL:	UL 94V-0
APPROVED BY		16<L≤63 ±0.3	MM		PHENOLIC		
MX 东莞市铭兴电子有限公司 DONG GUAN MING XING ELECTRONCS CO., LTD TEL:0769-86369622 86011822 FAX:0769-86369611				SCALE:	TERMINAL MAT:	PIN TENSION LOAD:	
				1/1	CP WIRE	1.2kg	
				DATE:	DRAWING NO:	REV.	
				2011.03.10	MX-2040	A	