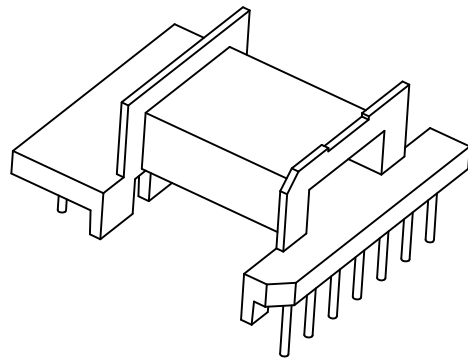
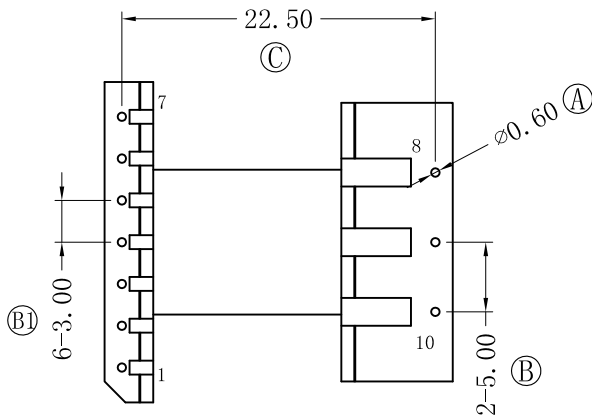
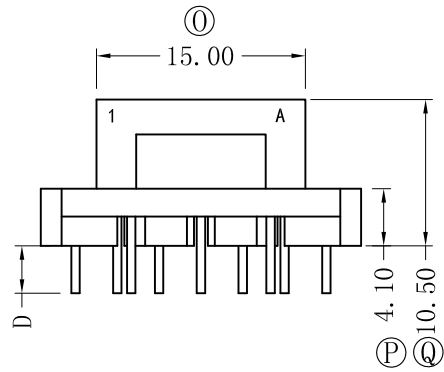
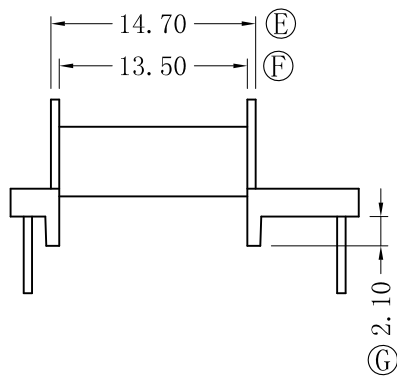


B-B



REV.	REVISIONS	REC.	DATE.	REV.	REVISIONS	REC.	DATE.

DRAWN	HQH	TOLERANCES		ANGLE:	TITLE:			
DRAFTED BY	HQH	0<L≤4 ±0.1	PIN PITCH	±1°	EFD20			
CHECKED	HQP	4<L≤16 ±0.2			UNIT:	BOBBIN	MATERIAL:	UL REC.
APPROVED BY		16<L≤63 ±0.3						
		壁厚 ±0.15	±0.20		TERMINAL MAT:	PIN TENSION LOAD:		
MX 东莞市铭兴电子有限公司		TEL: 0769-86369622	SCALE:	CP WIRE		1.0kg MIN		
DONG GUAN MING XING ELECTRONICS CO., LTD		FAX: 0769-86369611	1/1					
MX 靖江市铭翔电子有限公司		TEL: 0523-84523228	DATE:	DRAWING NO:		REV.		
JING JIANG MING XIANG ELECTRONICS CO., LTD		FAX: 0523-84521028		2011.6.27	MX-2043		A	