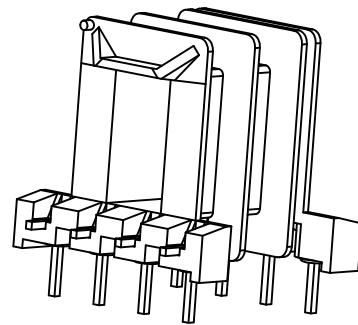


SECTION B-B



REV.	REVISIONS	REC.	DATE.	REV.	REVISIONS	REC.	DATE.

DRAWN DRAFTED BY	HQH	TOLERANCES		ANGLE: $\pm 1^\circ$	TITLE: EF-20		
		0<L≤4	±0.1		PIN PITCH ±0.20	UNIT: MM	BOBBIN MATERIAL: FR530 (BK)
CHECKED APPROVED BY	HZP	4<L≤16	±0.2	SCALE: 1/1			
		16<L≤63	±0.3		DATE: 2014.5.5	DRAWING NO: MX-2075	REV. A
壁 厚		±0.15					

MX 东莞市铭兴电子有限公司
DONG GUAN MING XING ELECTRONICS CO., LTD
TEL: 0769-86369622 86011822 FAX: 0769-86369611

