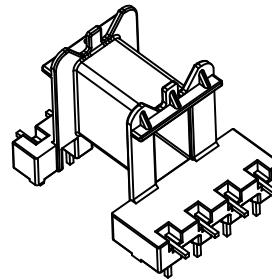
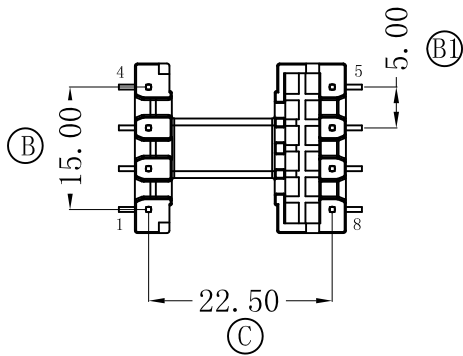
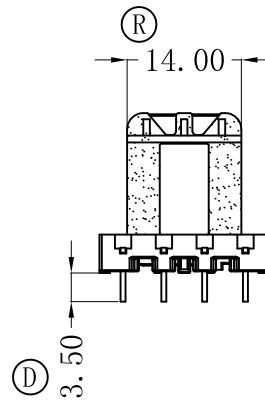
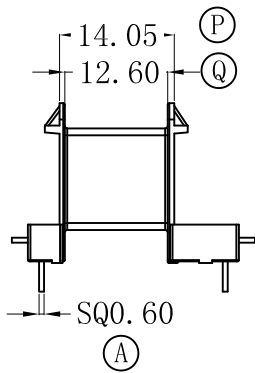


SEC A-A



REV.	REVISIONS	REC.	DATE.	REV.	REVISIONS	REC.	DATE.

DRAWN	DMJ	TOLERANCES		ANGLE:	TITLE:		
DRAFTED BY		0<L≤4 ±0.1	PIN PITCH ±0.20	±1°	EF 20		UL REC.
CHECKED	4<L≤16 ±0.2	UNIT:		BOBBIN	FR530	UL 94V-0	
APPROVED BY	16<L≤63 ±0.3	MM		MATERIAL:			
HZP	壁厚 ±0.1	SCALE:	TERMINAL MAT:	CP WIRE	PIN TENSION LOAD:	1.8kg	
<b>MX</b> 东莞市铭兴电子有限公司 DONG GUAN MING XING ELECTRONICS CO., LTD TEL: 0769-86369622 86011822 FAX: 0769-86369611				1/1	DATE:	DRAWING NO:	REV.
					2016. 10. 7	MX-2088-1	A