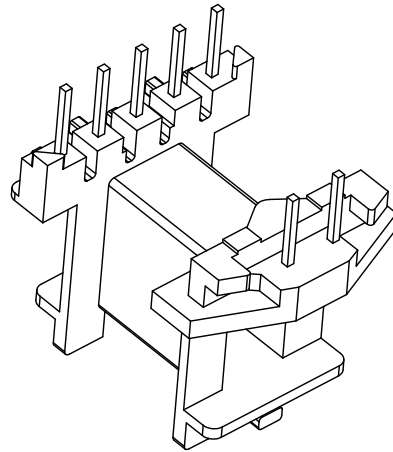
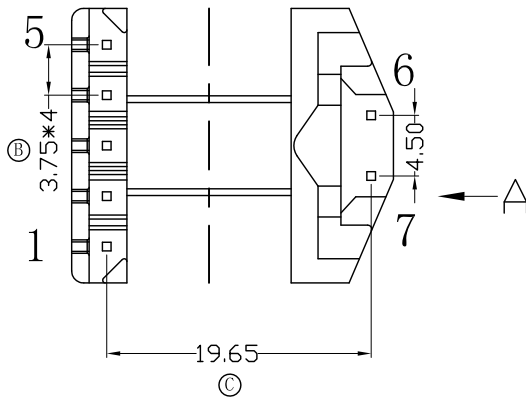
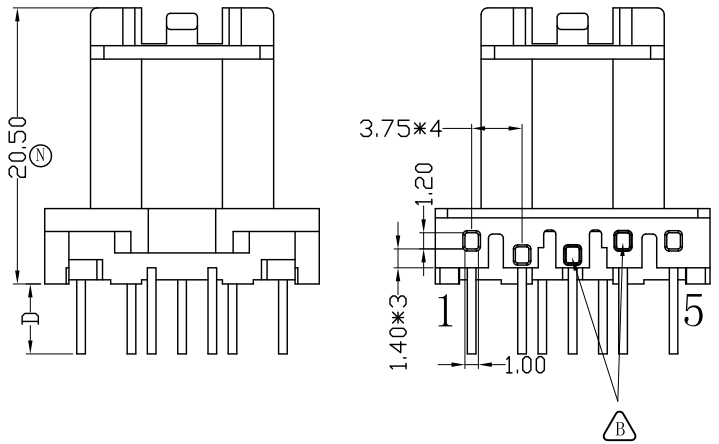
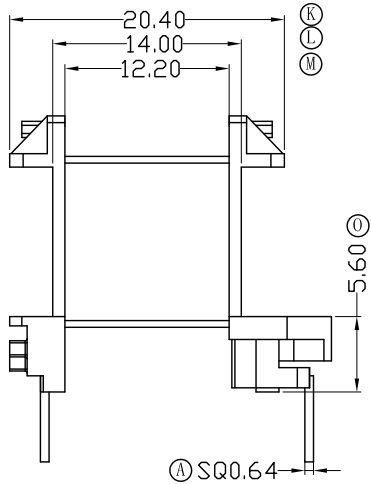


SECTION A-A



REV.	REVISIONS	REC.	REV.	REVISIONS	REC.
B	3脚凸点往上移, 2-3脚凸点位置一样, 4脚凸点往下移, 4-5脚凸点位置一样。		17. 7. 20		

DRAWN DRAFTED BY GSL	TOLERANCES	ANGLE: ±1°	TITLE: EF-20		
			BOBBIN MATERIAL: PHENOLIC	UL REC. UL 94V-0	
CHECKED APPROVED BY HZP	PIN PITCH ±0.20	UNIT: MM	TERMINAL MAT: CP WIRE	PIN TENSION LOAD: 1.00<g>g MIN	
<b>MX 东莞市铭兴电子有限公司</b> DONG GUAN MING XING ELECTRONICS CO., LTD TEL: 0769-86369622 86011822 FAX: 0769-86369611		SCALE: 2/1	DATE: 2015. 12. 09	DRAWING NO: MX-2089-1	REV. B