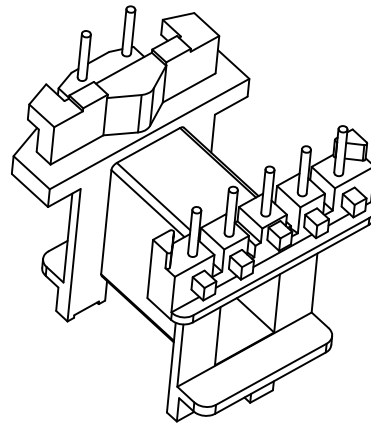
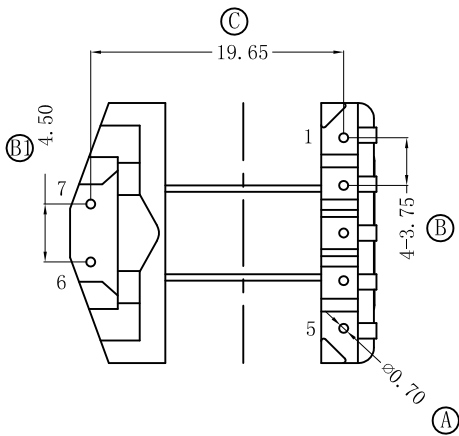
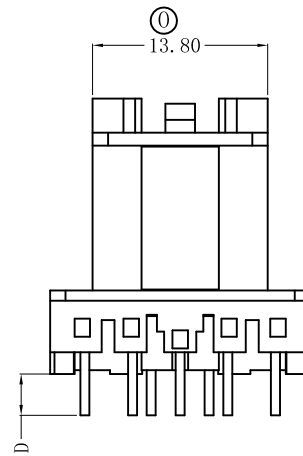
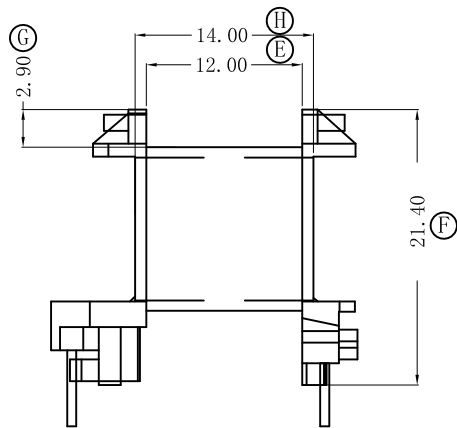


SECTION A-A



REV.	REVISIONS	REC.	REV.	REVISIONS	REC.

DRAWN DRAFTED BY GSL	TOLERANCES	ANGLE: $\pm 1^\circ$	TITLE: EF-20		
			0 < L ≤ 4 ±0.1	PIN PITCH ±0.20	BOBBIN MATERIAL: PHENOLIC
CHECKED APPROVED BY HZP	4 < L ≤ 16 ±0.2 16 < L ≤ 63 ±0.3 壁厚 ±0.15	UNIT: MM	TERMINAL MAT: CP WIRE		PIN TENSION LOAD: 1.00kg MIN
MX 东莞市铭兴电子有限公司 DONG GUAN MING XING ELECTRONICS CO., LTD TEL: 0769-86369622 86011822 FAX: 0769-86369611		SCALE: 2/1	DATE: 2015. 12. 09	DRAWING NO: MX-2089	REV. A