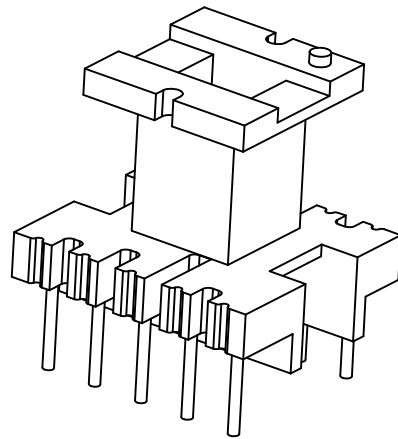
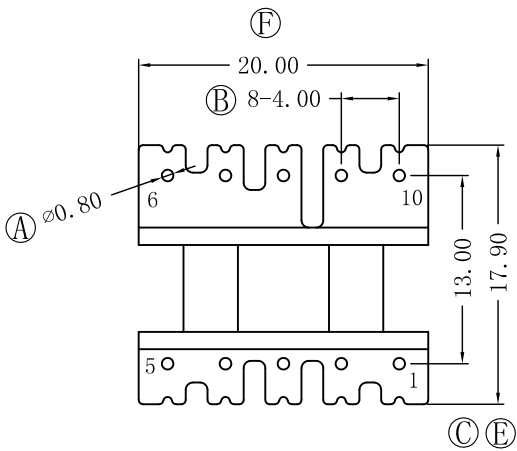
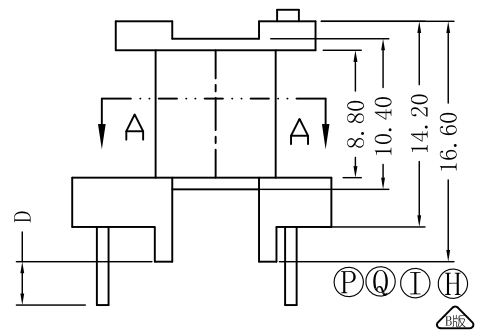
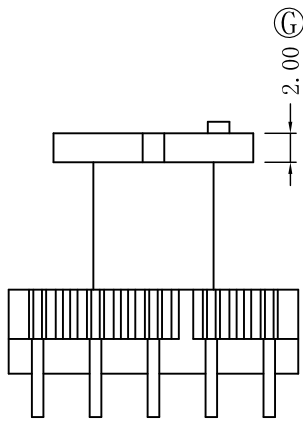


SECTION A-A



REV.	REVISIONS	REC.	DATE.	REV.	REVISIONS	REC.	DATE.
B	PIN台挡板降低0.6MM		2013-01-06				

DRAWN DRAFTED BY	HQH	TOLERANCES		ANGLE:	TITLE:		
		0<L≤4 ±0.1	PIN PITCH ±0.20	±1°	EI-22		UL REC.
CHECKED APPROVED BY	HZP	4<L≤16 ±0.2			UNIT:	BOBBIN MATERIAL:	UL 94V-0
		16<L≤63 ±0.3	MM		PHENOLIC	PIN TENSION LOAD:	
<b>MX</b> 东莞市铭兴电子有限公司 DONG GUAN MING XING ELECTRONICS CO., LTD TEL:0769-86369622 86011822 FAX:0769-86369611				SCALE:	TERMINAL MAT:	1.0kg	
				1/1	CP WIRE		
				DATE:	DRAWING NO:	REV.	
				2011.6.30	MX-2215	B	