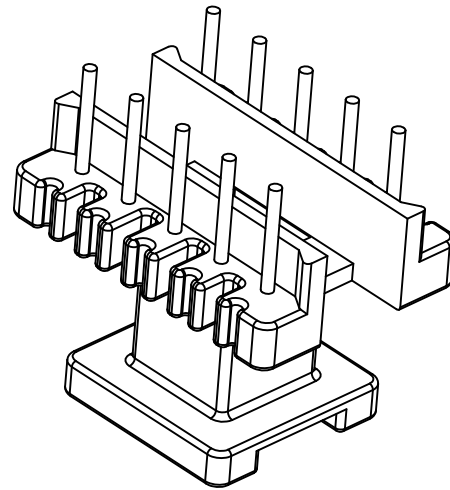
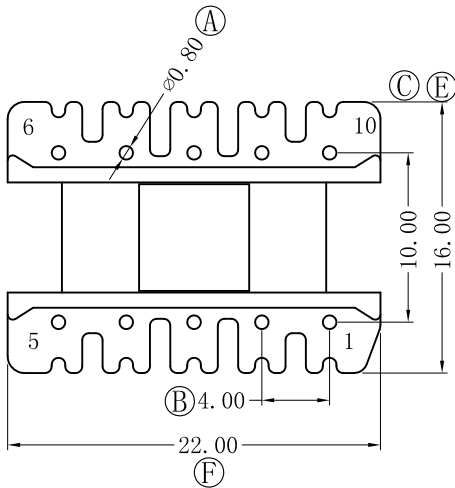
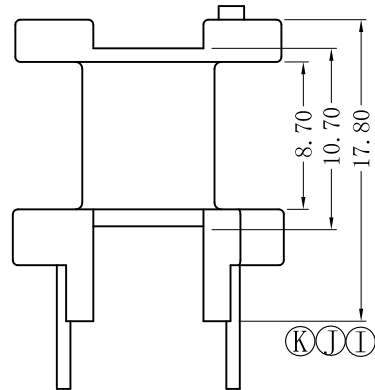
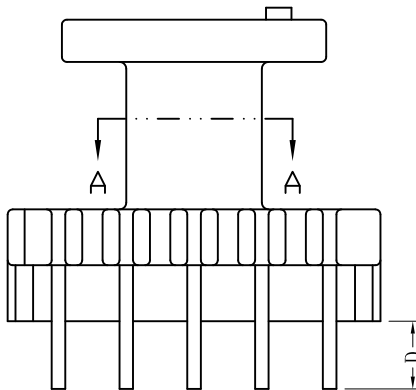


SECTION A-A



REV.	REVISIONS	REC.	DATE.	REV.	REVISIONS	REC.	DATE.
B	J尺寸13.7MM改为15.6MM, J尺寸13.5MM改为15.7MM, P尺寸8.5MM改为8.7MM, Q尺寸10.5MM改为10.7MM, R尺寸17.6MM改为17.8MM		15.3.16				

DRAWN DRAFTED BY	HQH	TOLERANCES		ANGLE:	TITLE:		
		0<L≤4 ±0.1	PIN PITCH ±0.20	±1°	EI22		UL REC.
CHECKED APPROVED BY	HZP	4<L≤16 ±0.2		壁 厚 ±0.15	UNIT:	BOBBIN MATERIAL:	UL 94V-0
		16<L≤63 ±0.3	MM		PHENOLIC	PIN TENSION LOAD:	
SCALE:				1/1	TERMINAL MAT:	1.5kg	
					CP WIRE		
DATE:				2013.1.10	DRAWING NO:	REV.	
					MX-2220	B	

**MX** 东莞市铭兴电子有限公司  
 DONG GUAN MING XING ELECTRONICS CO., LTD  
 TEL:0769-86369622 86011822 FAX:0769-86369611