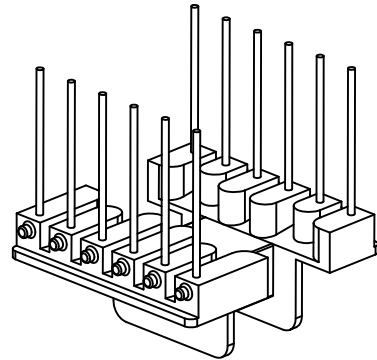
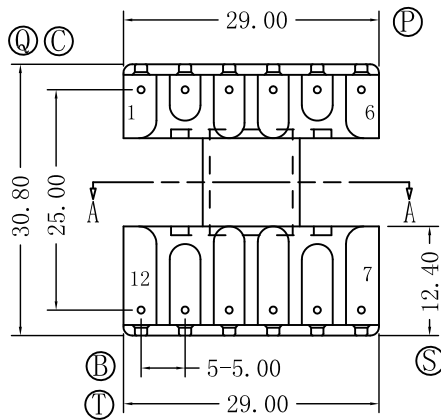
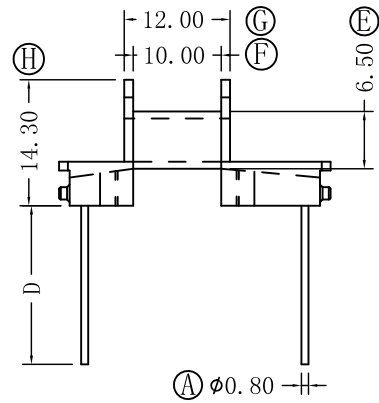
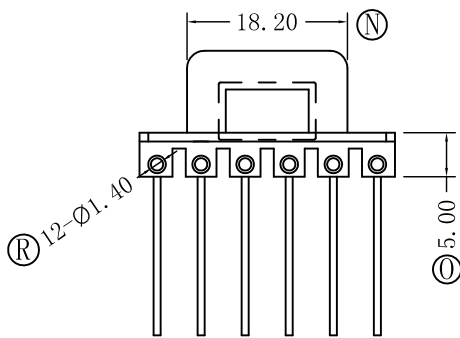
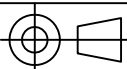


A-A



REV.	REVISIONS	REC.	DATE.	REV.	REVISIONS	REC.	DATE.

DRAWN DRAFTED BY	CXC	TOLERANCES		ANGLE:	TITLE:		
CHECKED APPROVED BY	HZP	0<L≤4 ±0.1	PIN PITCH ±0.20	±1°	EFD-24.7		UL REC.
		4<L≤16 ±0.2		UNIT:	BOBBIN MATERIAL:	PHENOLIC	UL 94V-0
		16<L≤63 ±0.3	壁 厚 ±0.15	MM	TERMINAL MAT:	CP WIRE	PIN TENSION LOAD:
				SCALE:	1/1		1.0kg MIN
MX 东莞市铭兴电子有限公司 DONG GUAN MING XING ELECTRONCTS CO., LTD TEL:0769-86369622 86011822 FAX:0769-86369611					DATE:	2009.01.12	DRAWING NO:
						MX-2401	REV. A