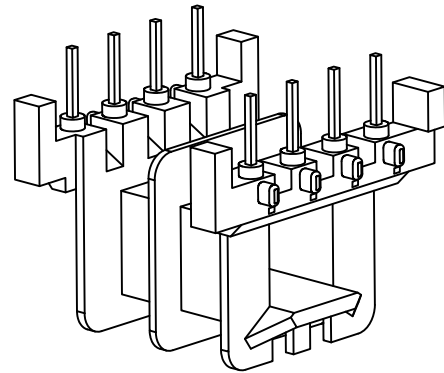
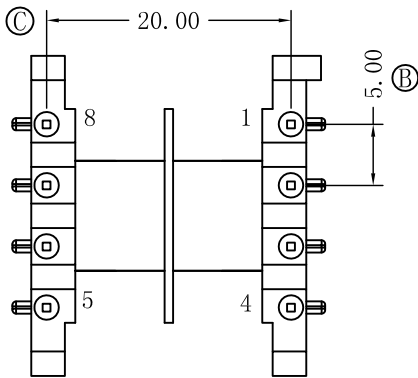
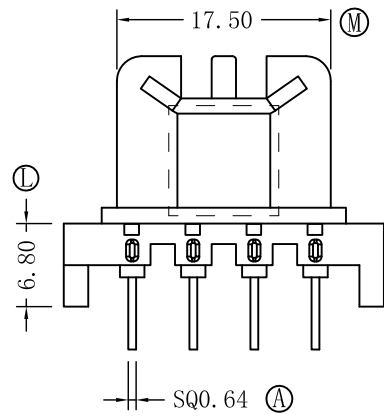
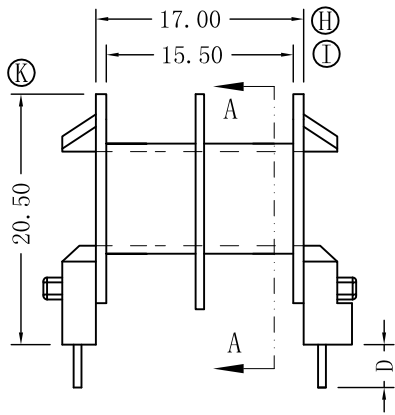


SECTION A-A



REV.	REVISIONS REC.	DATE.	REV.	REVISIONS REC.	DATE.
B	PIN台两边排气孔加大至1.2*0.9MM	2014.11.25			

DRAWN DRAFTED BY	ZKZ	TOLERANCES		ANGLE:	TITLE:	
		0<L≤4 ±0.1	PIN PITCH	±1°	EF-25	
CHECKED APPROVED BY	HZP	4<L≤16 ±0.2		±0.20	UNIT:	BOBBIN MATERIAL:
		16<L≤63 ±0.3	MM		PET	UL 94V-0
MX 东莞市铭兴电子有限公司 DONG GUAN MING XING ELECTRONCTS CO., LTD		TEL: 0769-86369622	SCALE:	TERMINAL MAT:	PIN TENSION LOAD:	
		FAX: 0769-86369611	1/1	CP WIRE	1.5kg MIN	
MX 靖江市铭翔电子有限公司 JING JIANG MING XIANG ELECTRONCTS CO., LTD		TEL: 0523-84523228		DATE:	DRAWING NO:	REV.
		FAX: 0523-84521028		2009.08.17	MX-2531-2	B