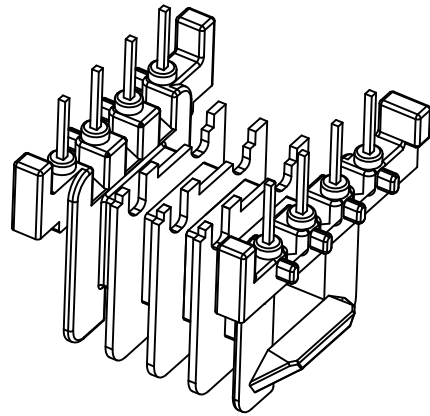
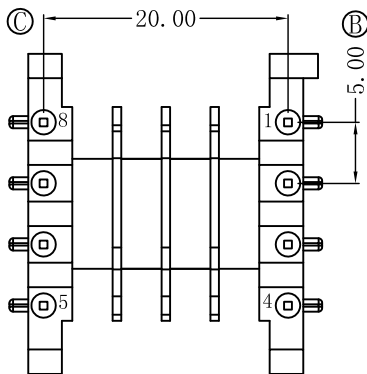
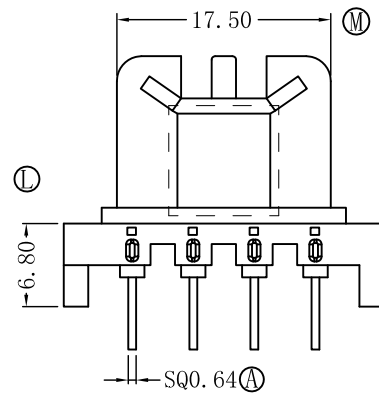
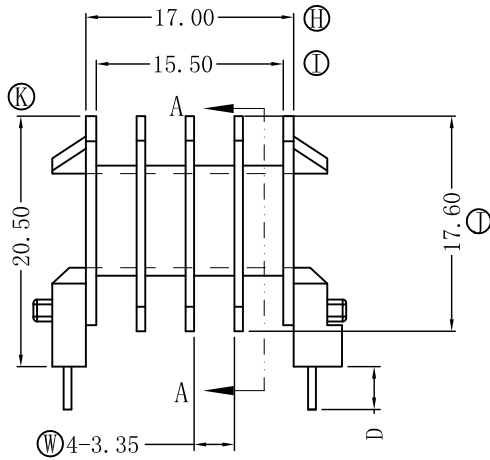


SECTION A-A



REV.	REVISIONS	REC.	DATE.	REV.	REVISIONS	REC.	DATE.

DRAWN	CXC	TOLERANCES		ANGLE:	TITLE: EF-25		
DRAFTED BY		0<L≤4 ±0.1	PIN PITCH ±0.20	±1°	BOBBIN MATERIAL: PET		UL REC.
CHECKED	HZP	4<L≤16 ±0.2		UNIT: MM	MATERIAL: CP WIRE		UL 94V-0
APPROVED BY		16<L≤63 ±0.3	SCALE: 1/1	TERMINAL MAT:		PIN TENSION LOAD:	
		壁厚 ±0.15				1.5kg MIN	
MX 东莞市铭兴电子有限公司 DONG GUAN MING XING ELECTRONICS CO., LTD			TEL: 0769-86369622 FAX: 0769-86369611	DATE: 2012.05.22	DRAWING NO: MX-2531-3		REV. A
MX 靖江市铭翔电子有限公司 JING JIANG MING XIANG ELECTRONICS CO., LTD			TEL: 0523-84523228 FAX: 0523-84521028				