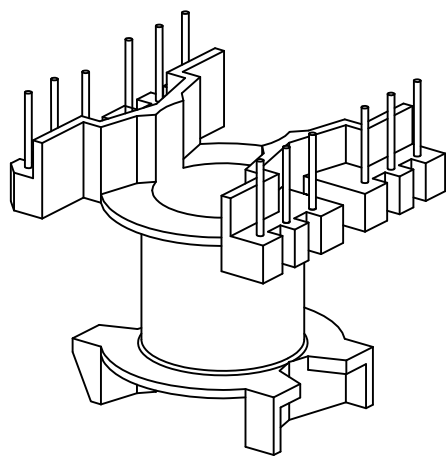
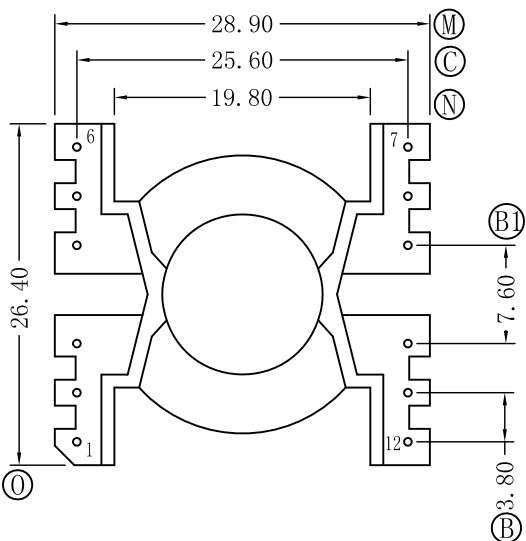
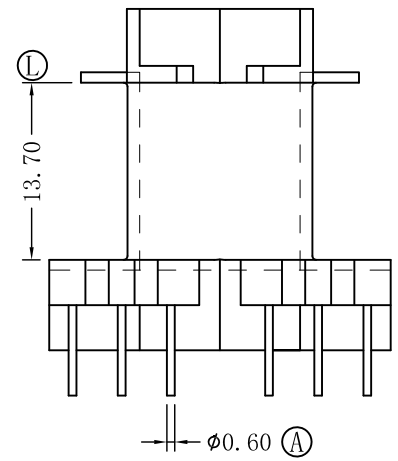
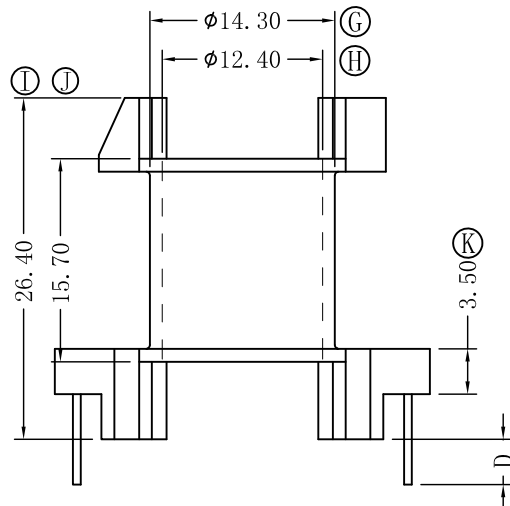
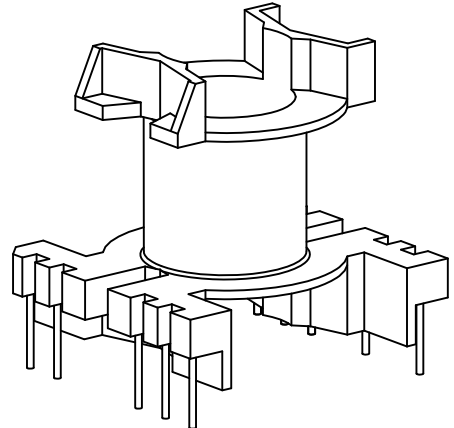
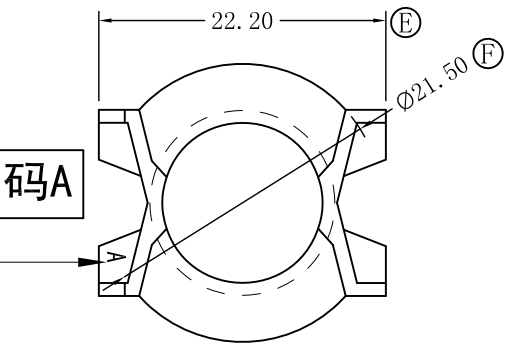


防呆字码A



REV.	REVISIONS	REC.	DATE.	REV.	REVISIONS	REC.	DATE.

DRAWN	CXC	TOLERANCES		ANGLE:	TITLE: PQ-26		
DRAFTED BY		0<L≤1 ±0.06	PIN PITCH ±0.20	±1°	BOBBIN MATERIAL: PHENOLIC		UL REC.
CHECKED	HXP	1<L≤4 ±0.10		UNIT: MM	MATERIAL: CP WIRE		UL 94V-0
APPROVED BY		4<L≤16 ±0.15	SCALE: 1/1		TERMINAL MAT:		PIN TENSION LOAD:
		16<L≤63 ±0.20				1.2kg MIN	
		壁厚 ±0.15		DATE: 2009.12.28		DRAWING NO: MX-2604	
MX 东莞市铭兴电子有限公司	TEL: 0769-86369622					REV. A	
DONG GUAN MING XING ELECTRONCTS CO., LTD	FAX: 0769-86369611						
MX 靖江市铭翔电子有限公司	TEL: 0523-84523228						
JING JIANG MING XIANG ELECTRONCTS CO., LTD	FAX: 0523-84521028						