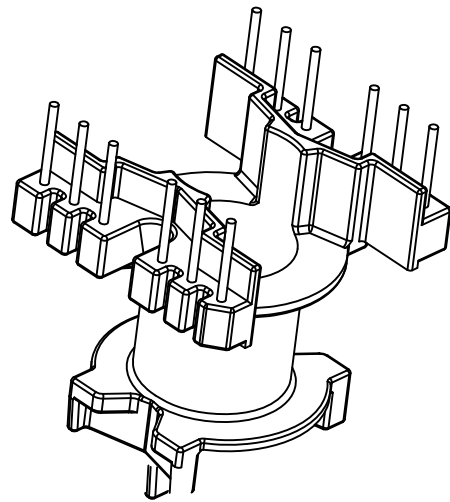
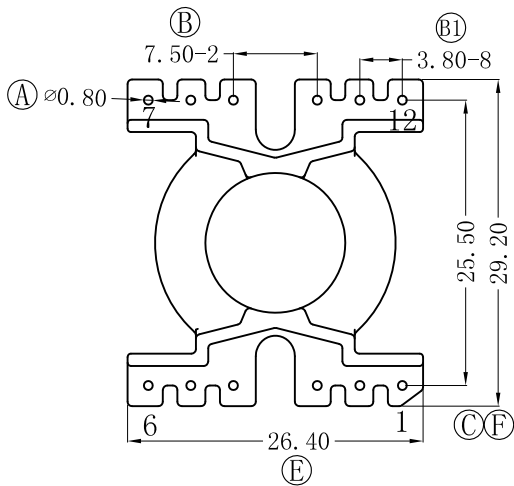
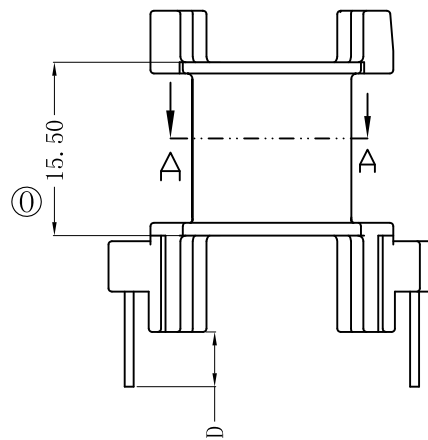
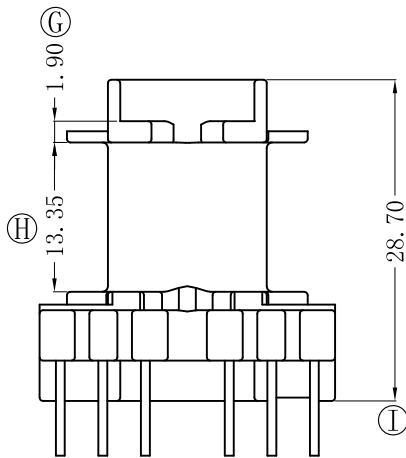


SECTION A-A



| REV. | REVISIONS | REC. | DATE. | REV. | REVISIONS | REC. | DATE. |
|------|-----------|------|-------|------|-----------|------|-------|
| | | | | | | | |
| | | | | | | | |

| | | | | | | | |
|------------------------|--------------|---------------|--------------------|--------------------------|--------------------|---------------------------------|---------------------|
| DRAWN DRAFTED BY | HQH | TOLERANCES | | ANGLE: $\pm 1^\circ$ | TITLE: PQ-2625 | | |
| | | 0<L≤4 ±0.1 | PIN PITCH ±0.20 | | UNIT: MM | BOBBIN MATERIAL: PHENOLIC | UL REC. UL 94V-0 |
| 4<L≤16 ±0.2 | 16<L≤63 ±0.3 | SCALE: 1/1 | | TERMINAL MAT: CP WIRE | | | |
| CHECKED APPROVED BY | HZP | 壁厚 ±0.15 | | | DATE: 2013.6.03 | DRAWING NO: MX-2616 | REV. A |

MX 东莞市铭兴电子有限公司
DONG GUAN MING XING ELECTRONICS CO., LTD
TEL: 0769-86369622 86011822 FAX: 0769-86369611

