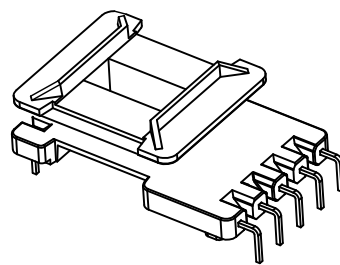
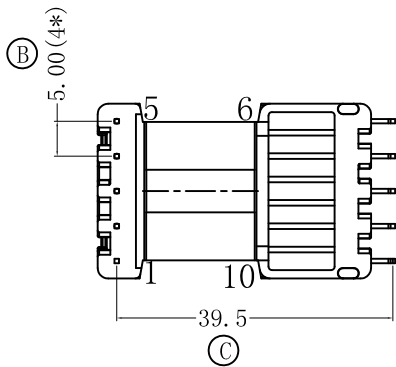


截面 A-A



REV.	REVISIONS	REC.	DATE.	REV.	REVISIONS	REC.	DATE.

DRAWN DRAFTED BY	LY	TOLERANCES		ANGLE: $\pm 1^\circ$	TITLE: EF-26		
		X.X	$\pm 0.2$		PIN PITCH $\pm 0.20$	UNIT: MM	BOBBIN MATERIAL: PHENOLIC
CHECKED APPROVED BY	HZP	X.XX	$\pm 0.1$	SCALE: 1/1			
<b>MX</b> 东莞市铭兴电子有限公司 DONG GUAN MING XING ELECTRONICS CO., LTD TEL: 0769-86369622 86011822 FAX: 0769-86369611					DATE: 2016.02.24	DRAWING NO: MX-2629-1	REV. A