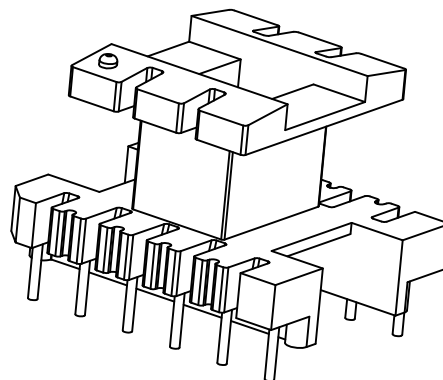
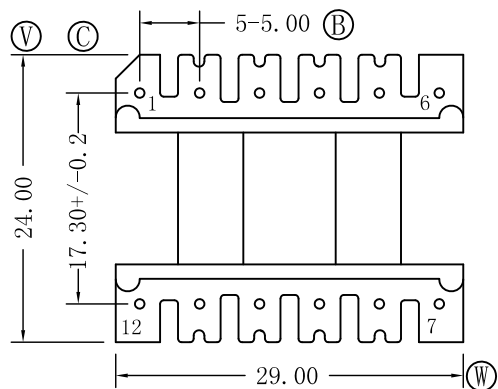
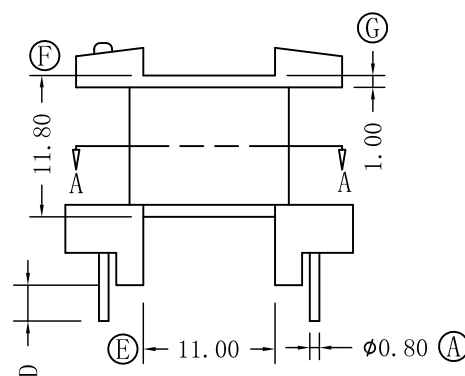
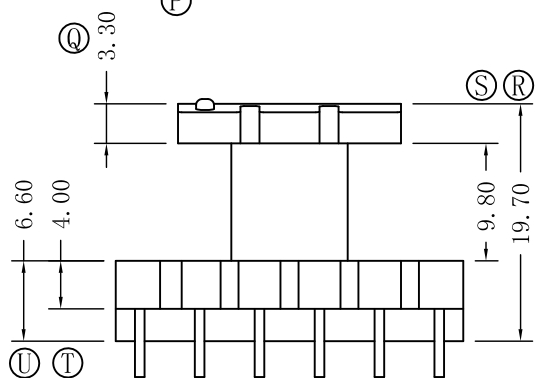


A-A



REV.	REVISIONS	REC.	DATE.	REV.	REVISIONS	REC.	DATE.
B.	支点R宽度2.50MM改为2.00MM.		2009.11.27				
C.	排距由原17.60改为17.30		2010.12.9				

DRAWN DRAFTED BY CXC	TOLERANCES	0<L≤4 ±0.1	ANGLE: ±1°	TITLE: EI-28		
		4<L≤16 ±0.2		UNIT: MM	BOBBIN MATERIAL: PHENOLIC	UL REC. UL 94V-0
CHECKED APPROVED BY HZP	16<L≤63 ±0.3	PIN PITCH ±0.20	SCALE: 1/1		TERMINAL MAT: CP WIRE	PIN TENSION LOAD: 1.0kg MIN
	壁厚 ±0.15		DATE: 2008.05.16	DRAWING NO: MX-2806	REV. C	

MX 东莞市铭兴电子有限公司
DONG GUAN MING XING ELECTRONCTS CO., LTD
TEL:0769-86369622 86011822 FAX:0769-86369611