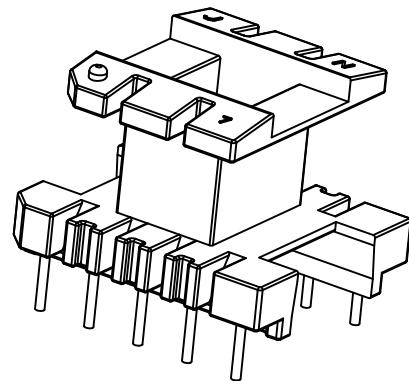
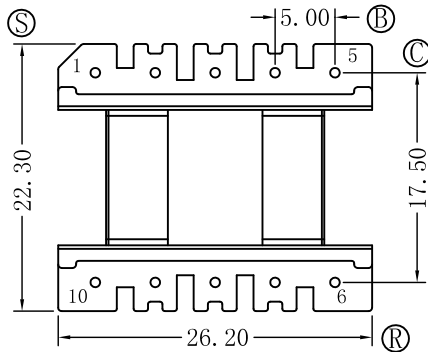
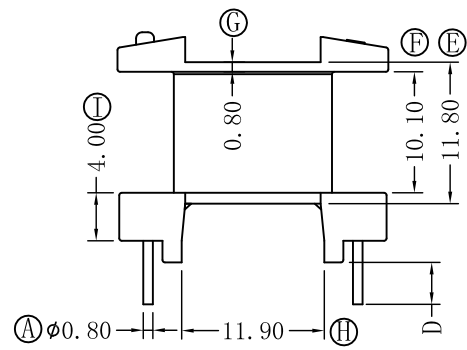
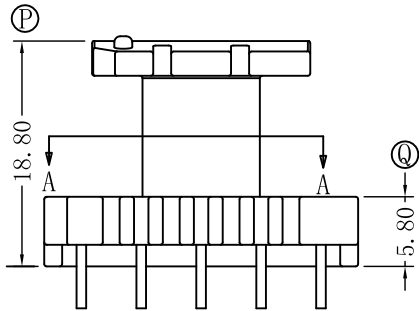


A-A



REV.	REVISIONS REC.	DATE.	REV.	REVISIONS REC.	DATE.
B.	K尺寸: 由11.30改为11.30 ^{+0.2} ₀ MM	2007. 10. 13			
C.	项部过线槽深改为2.6MM, PIN台底部增加C0.6倒角。	2009. 6. 18			

DRAWN DRAFTED BY CXC	TOLERANCES	0<L≤4 ±0.1	ANGLE: ±1°	TITLE: EI-28		
		4<L≤16 ±0.2				
CHECKED APPROVED BY HZP	PIN PITCH ±0.20	16<L≤63 ±0.3	UNIT: MM	BOBBIN MATERIAL: PHENOLIC	UL REC. UL 94V-0	
		壁厚 ±0.15		TERMINAL MAT: CP WIRE	PIN TENSION LOAD: 1.0kg MIN	
MX 东莞市铭兴电子有限公司 DONG GUAN MING XING ELECTRONCTS CO., LTD TEL:0769-86369622 86011822 FAX:0769-86369611			SCALE: 1/1	DATE: 2007. 05. 13	DRAWING NO: MX-2808	REV. C