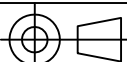


REV.	REVISIONS REC.	DATE.	REV.	REVISIONS REC.	DATE.
B	F尺寸由19.9mm改到19.4mm, O尺寸由6.9mm改到6.4mm	2014.03.03			
C	加进胶缺口, 深度0.5mm	2014.07.30			

DRAWN	TOLERANCES		ANGLE:	TITLE: EI-28	
DRAFTED BY	0<L≤4 ±0.1	PIN PITCH ±0.20	±1°	BOBBIN MATERIAL: PHENOLIC	UL REC. UL 94V-0
CHECKED	4<L≤16 ±0.2		UNIT: MM	TERMINAL MAT: CP WIRE	PIN TENSION LOAD: 1.5kg MIN
APPROVED BY	16<L≤63 ±0.3		SCALE: 1/1	DATE: 2010.3.5	DRAWING NO: MX-2818
<b>MX 东莞市铭兴电子有限公司</b> DONG GUAN MING XING ELECTRONCTS CO., LTD TEL: 0769-86369622 FAX: 0769-86369611		<b>MX 铭兴电子有限公司 (靖江分公司)</b> JING JIANG MING XING ELECTRONCTS CO., LTD TEL: 0523-84523228 FAX: 0523-84521028			REV. C