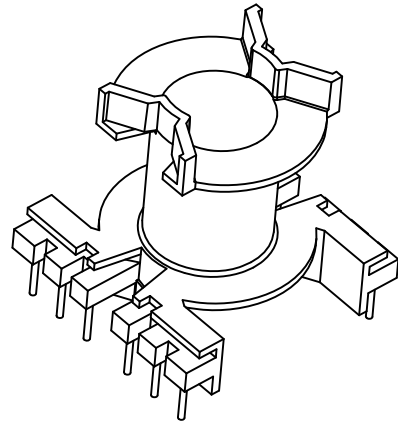
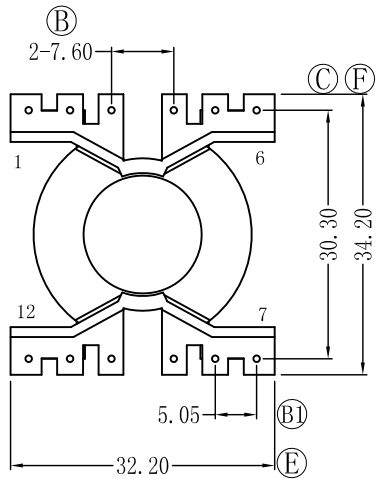
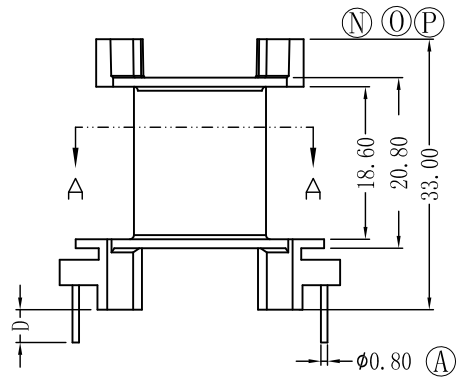
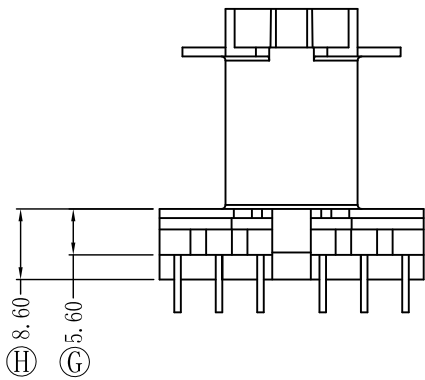


SECTION A-A



REV.	REVISIONS	REC.	DATE.	REV.	REVISIONS	REC.	DATE.

DRAWN	HQH	TOLERANCES		ANGLE:	TITLE: PQ 3230		
DRAFTED BY		0<L≤4 ±0.1	PIN PITCH ±0.20	±1°	BOBBIN MATERIAL: PHENOLIC		UL REC.
CHECKED	HZP	4<L≤16 ±0.2		UNIT:	MATERIAL: CP WIRE		UL 94V-0
APPROVED BY		16<L≤63 ±0.3	壁 厚 ±0.15	MM	TERMINAL MAT:		PIN TENSION LOAD:
<b>MX</b> 东莞市铭兴电子有限公司 DONG GUAN MING XING ELECTRONCTS CO., LTD TEL:0769-86369622 86011822 FAX:0769-86369611	SCALE:	1/1		DATE:	2011.3.12		DRAWING NO:
	MX-3202	2011.3.12	2011.3.12	MX-3202		A	A