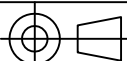


REV.	REVISIONS REC.	DATE.	REV.	REVISIONS REC.	DATE.
B	图上C尺寸排距由30.6MM变为30MM	16.10.18			2016.10.13

DRAWN DRAFTED BY	HQH	TOLERANCES		ANGLE: $\pm 1^\circ$	TITLE: PQ3230		
		0<L≤4 4<L≤16 16<L≤63 壁厚	±0.1 ±0.2 ±0.3 ±0.15		PIN PITCH ±0.20	UNIT: MM	BOBBIN MATERIAL: PHENOLIC
CHECKED APPROVED BY	HZP			SCALE: 1/1		TERMINAL MAT: CP WIRE	PIN TENSION LOAD: 1.5kg
<b>MX</b> 东莞市铭兴电子有限公司 DONG GUAN MING XING ELECTRONICS CO., LTD TEL:0769-86369622 86011822 FAX:0769-86369611					DATE: 2013.5.31	DRAWING NO: MX-3210	REV. B