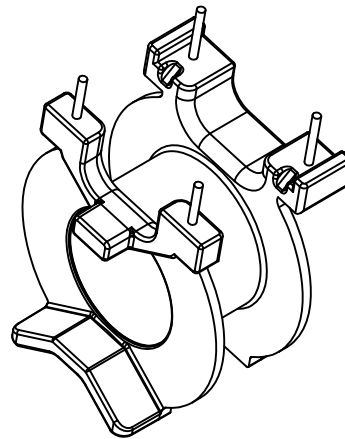
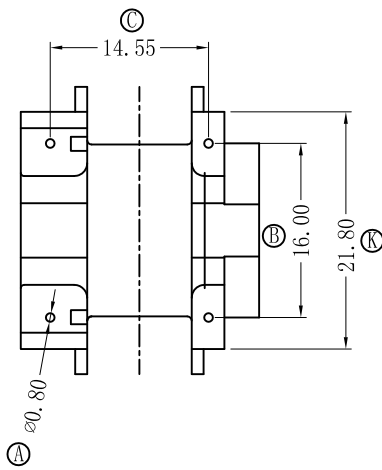
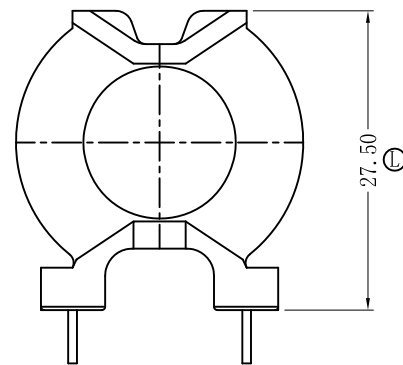
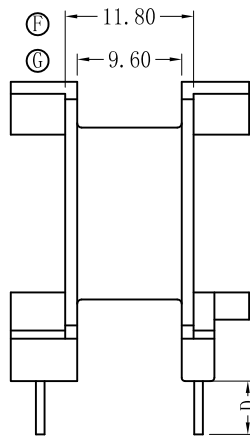


SECTION A-A



REV.	REVISIONS	REC.	DATE.	REV.	REVISIONS	REC.	DATE.
B	PIN台增加过线槽		2015.9.10				

DRAWN	HQH	TOLERANCES		ANGLE:	TITLE:		
DRAFTED BY		0<L≤4 ±0.1	PIN PITCH ±0.20	±1°	PQ3236		
CHECKED	HQP	4<L≤16 ±0.2		UNIT:	BOBBIN MATERIAL:	PHENOLIC	UL REC.
APPROVED BY		16<L≤63 ±0.3	±0.20	MM	TERMINAL MAT:	CP WIRE	UL 94V-0
<b>MX</b> 东莞市铭兴电子有限公司 DONG GUAN MING XING ELECTRONCTS CO., LTD TEL:0769-86369622 86011822 FAX:0769-86369611				SCALE:	DATE:	DRAWING NO:	REV.
				1/1	2015.4.4	MX-3219	B