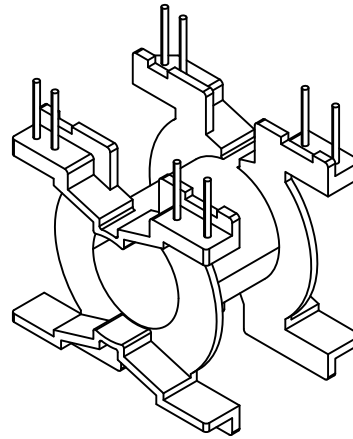
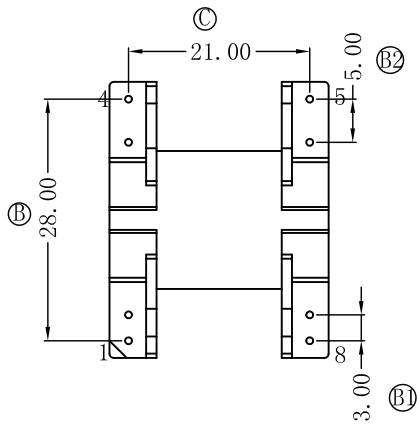
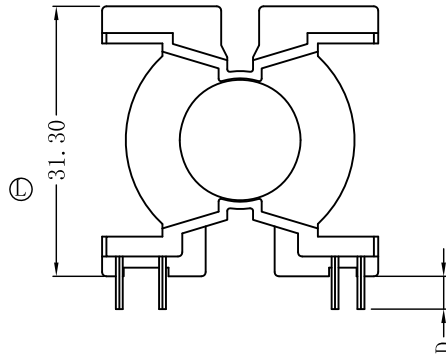
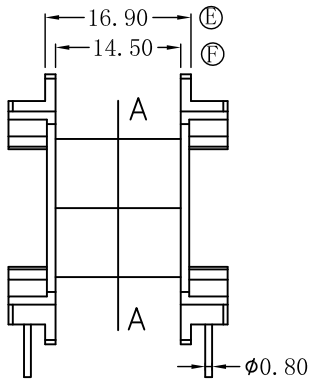


A-A



REV.	REVISIONS	REC.	DATE.	REV.	REVISIONS	REC.	DATE.

DRAWN DRAFTED BY	GSL	TOLERANCES		ANGLE:	TITLE:		
		0<L≤4 ±0.1	PIN PITCH ±0.20	±1°	PQ3228A		
CHECKED APPROVED BY	HZP	4<L≤16 ±0.2		±0.20	UNIT:	BOBBIN	UL REC.
		16<L≤63 ±0.3	MM		MATERIAL:	PM9820	UL 94V-0
		壁厚 ±0.15		SCALE:	TERMINAL MAT:	PIN TENSION LOAD:	
				1/1	CP WIRE	1.2kg	
<b>MX 东莞市铭兴电子有限公司</b> DONG GUAN MING XING ELECTRONICS CO., LTD TEL:0769-86369622 86011822 FAX:0769-86369611				DATE:	DRAWING NO:	REV.	
				2016.01.14	MX-3229	A	