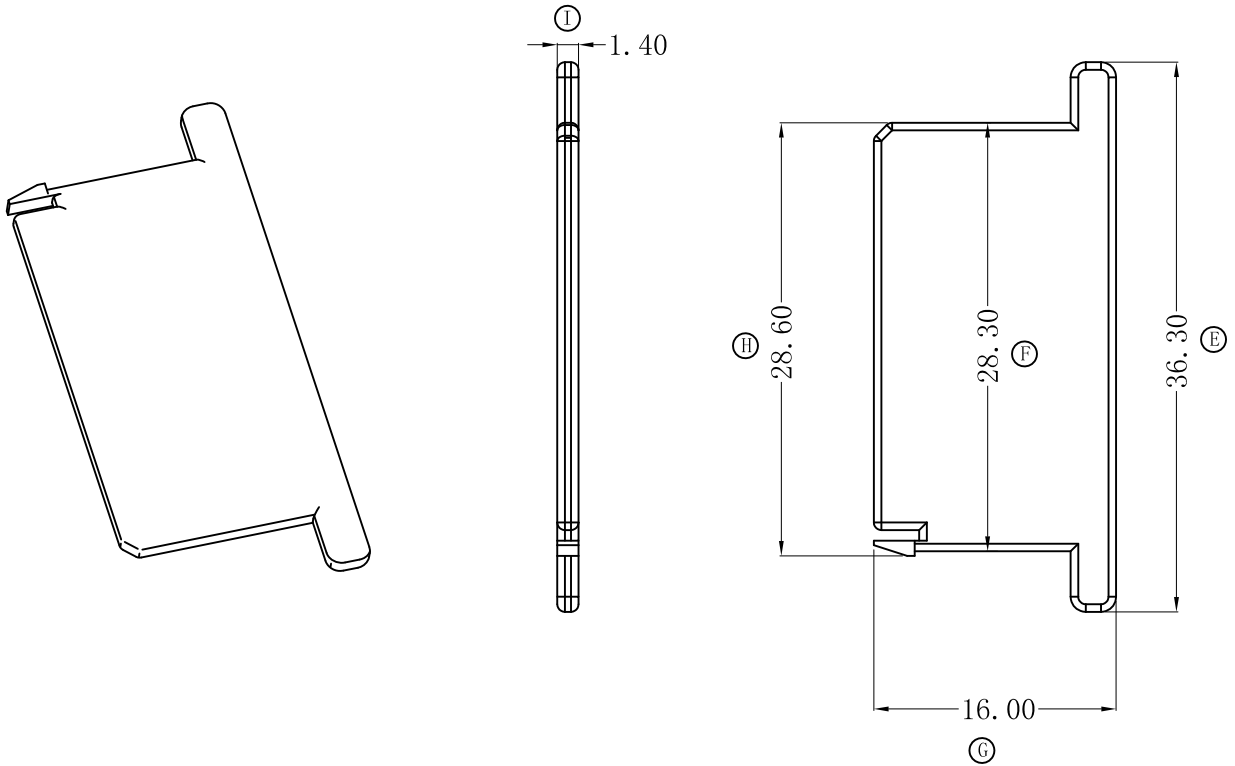


MX-J3525-2产品开发时，
请开在MX-J3525-1模具上.



REV.	REVISIONS	REC.	DATE.	REV.	REVISIONS	REC.	DATE.

DRAWN	LY	TOLERANCES		ANGLE:	TITLE:		
DRAFTED BY		0<L≤4 ±0.1	PIN PITCH	±1°	BASE-SQ3524-101		
CHECKED	HZP	4<L≤16 ±0.2		±0.20	UNIT:	BOBBIN	UL REC.
APPROVED BY		16<L≤63 ±0.3	MM		MATERIAL:	PBT	UL 94V-0
壁 厚 ±0.10				SCALE:	TERMINAL MAT:	PIN TENSION LOAD:	
				1/1	/ WIRE	/ MIN	
MX 东莞市铭兴电子有限公司 DONG GUAN MING XING ELECTRONICS CO., LTD TEL:0769-86369622 86011822 FAX:0769-86369611				DATE:	DRAWING NO:	REV.	
				2016. 11. 11	MX-J3525-2	A	