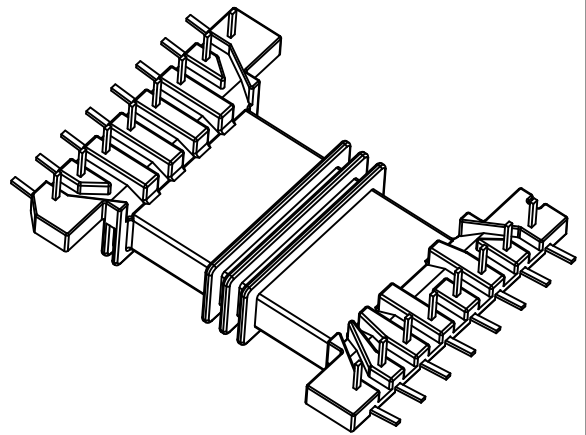
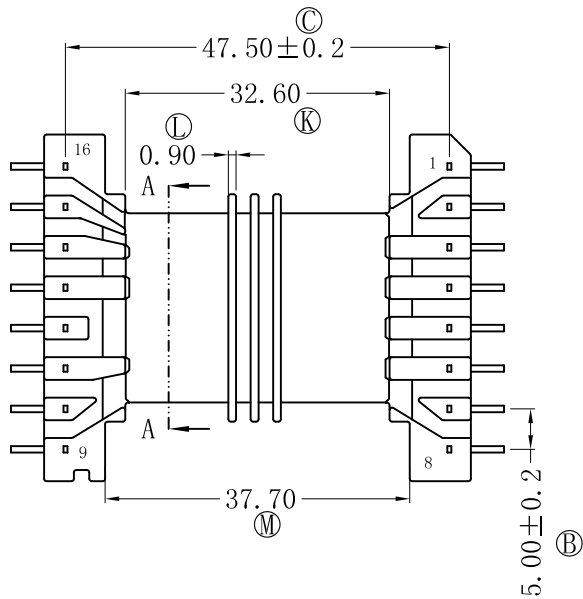
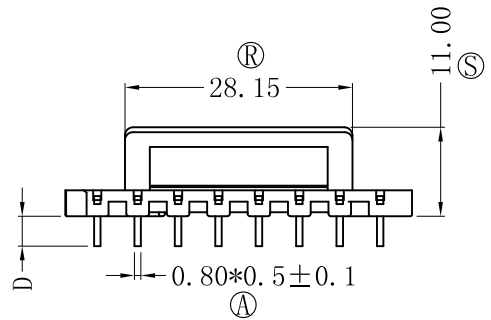
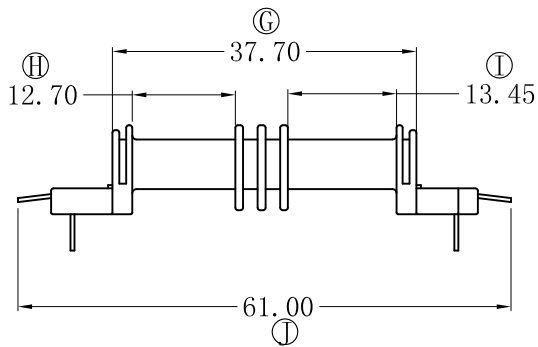


截面 A-A



REV.	REVISIONS REC.	DATE.	REV.	REVISIONS REC.	DATE.
B	产品PIN台顶部两侧装配卡槽宽度由0.95MM改到0.85MM，长度由23.40MM改到25.50MM	2015.9.14			

DRAWN	LY	TOLERANCES		ANGLE:	TITLE:	
DRAFTED BY		0<L≤4 ±0.1	PIN PITCH ±0.20	±1°	EFD-45 (BOBBIN)	
CHECKED	HZP	4<L≤16 ±0.2		UNIT:	BOBBIN MATERIAL:	UL REC.
APPROVED BY		16<L≤63 ±0.3	MM	CP WIRE	PM9820	UL 94V-0
MX 东莞市铭兴电子有限公司 DONG GUAN MING XING ELECTRONICS CO., LTD TEL:0769-86369622 86011822 FAX:0769-86369611				SCALE:	TERMINAL MAT:	PIN TENSION LOAD:
				1/1	CP WIRE	1.0kg
				DATE:	DRAWING NO:	REV.
				2014.8.19	MX-4503	B