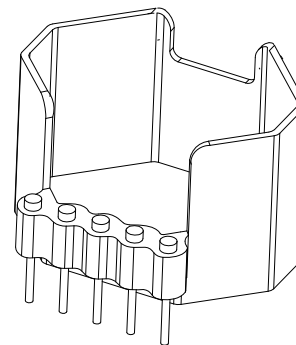
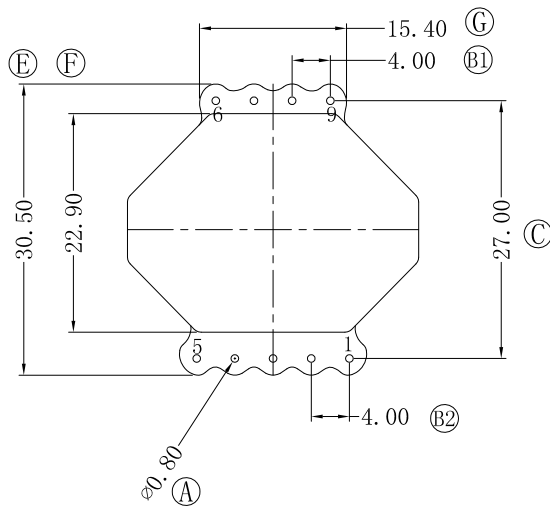


SECTION A-A



REV.	REVISIONS	REC.	DATE.	REV.	REVISIONS	REC.	DATE.

DRAWN	HZX	TOLERANCES		ANGLE:	TITLE:		
DRAFTED BY		0<L≤4 ±0.1	PIN PITCH	±1°	BASE		UL REC.
CHECKED	HZP	4<L≤16 ±0.2		±0.20	UNIT:	BOBBIN MATERIAL:	UL 94V-0
APPROVED BY		16<L≤63 ±0.3	MM		PHENOLIC	CP WIRE	1.5kg
MX 东莞市铭兴电子有限公司		TEL:0769-86369622	SCALE:	TERMINAL MAT:	PIN TENSION LOAD:		
DONG GUAN MING XING ELECTRONICS CO.,LTD		FAX:0769-86369611	1/1	CP WIRE	1.5kg		
MX 靖江市铭翔电子有限公司		TEL:0523-84523228		DATE:	DRAWING NO:	REV.	
JING JIANG MING XIANG ELECTRONICS CO.,LTD		FAX:0523-84521028		2012.02.08	MX-B020	A	