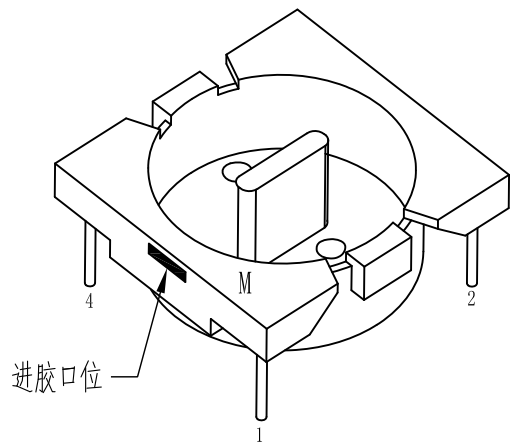
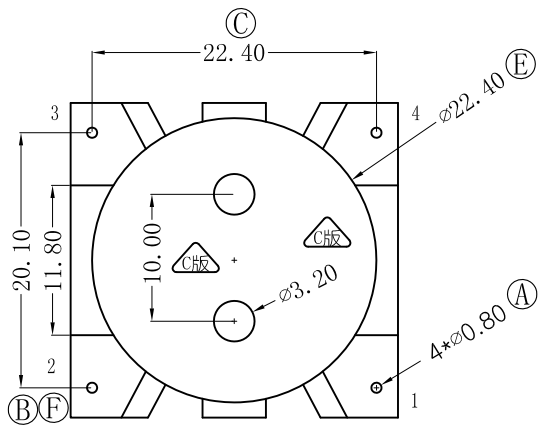
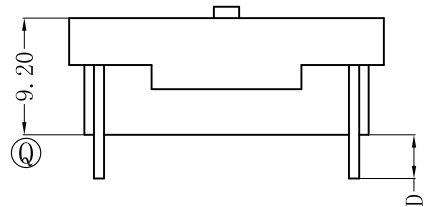
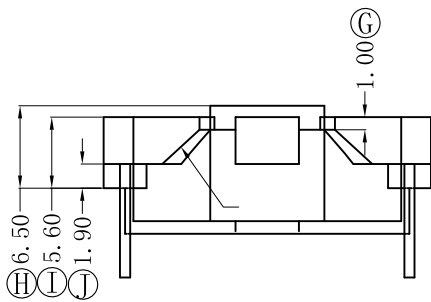


"M" 为第1PIN 标示



REV.	REVISIONS	REC.	DATE.	REV.	REVISIONS	REC.	DATE.

DRAWN	HQH	TOLERANCES		ANGLE:	TITLE:		
DRAFTED BY	HQH	0<L≤4 ±0.1	PIN PITCH ±0.20	±1°	BASE		UL REC.
CHECKED	HQP	4<L≤16 ±0.2		UNIT:	BOBBIN	PHENOLIC	UL 94V-0
APPROVED BY	HZP	16<L≤63 ±0.3	壁厚 ±0.15	MM	MATERIAL:	CP WIRE	PIN TENSION LOAD:
MX 东莞市铭兴电子有限公司 DONG GUAN MING XING ELECTRONICS CO., LTD TEL:0769-86369622 86011822 FAX:0769-86369611				SCALE:	DATE:	DRAWING NO:	REV.
				1/1	2013. 10. 7	MX-B021-1	A