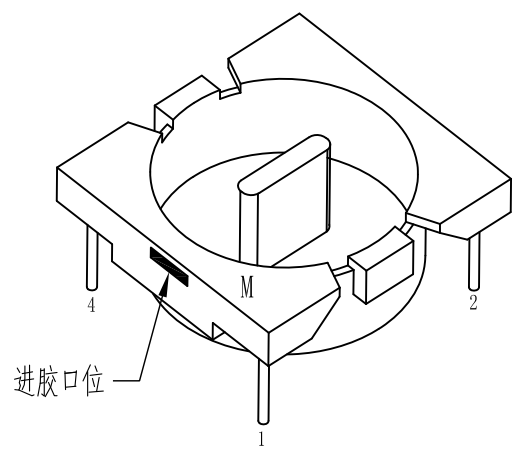
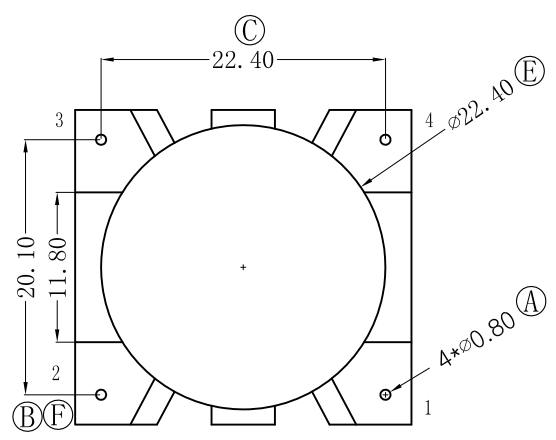
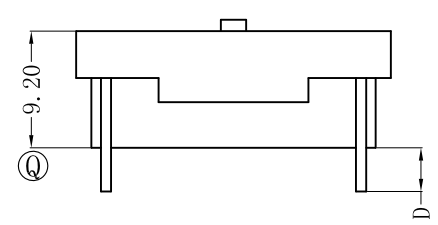
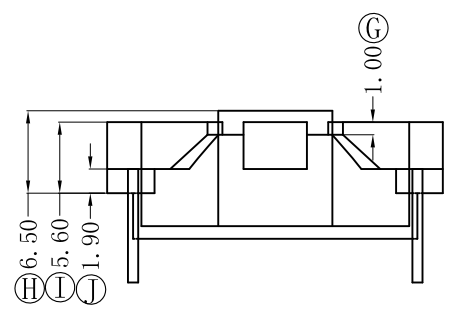


"M" 为第1PIN 标示



REV.	REVISIONS	REC.	DATE.	REV.	REVISIONS	REC.	DATE.
B	Q尺寸由9.0MM改为9.2MM, 即顶部壁厚加厚0.2MM.		2012.07.06				
C	P尺寸由25.8mm改到26.50mm,		2013.06.26				

DRAWN DRAFTED BY	HQH	TOLERANCES		ANGLE: ±1°	TITLE: BASE		
		0<L≤4	±0.1		PIN PITCH ±0.20	BOBBIN MATERIAL: PHENOLIC	UL REC. UL 94V-0
CHECKED APPROVED BY	HZP	4<L≤16	±0.2	UNIT: MM			
		16<L≤63	±0.3	SCALE: 1/1	DATE: 2012.3.29	DRAWING NO: MX-B021	REV. C
		壁厚	±0.15				

MX 东莞市铭兴电子有限公司
 DONG GUAN MING XING ELECTRONICS CO., LTD
 TEL: 0769-86369622 86011822 FAX: 0769-86369611

