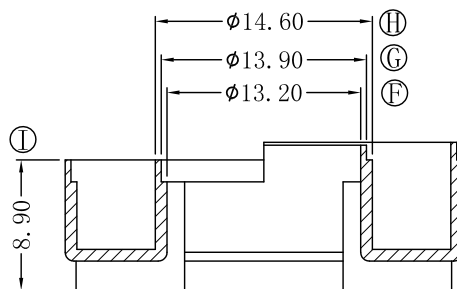
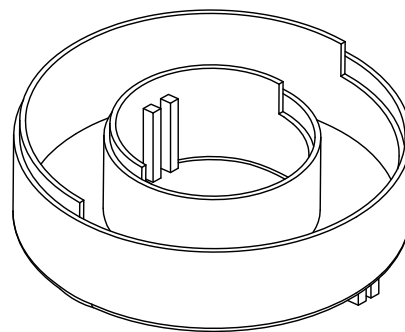
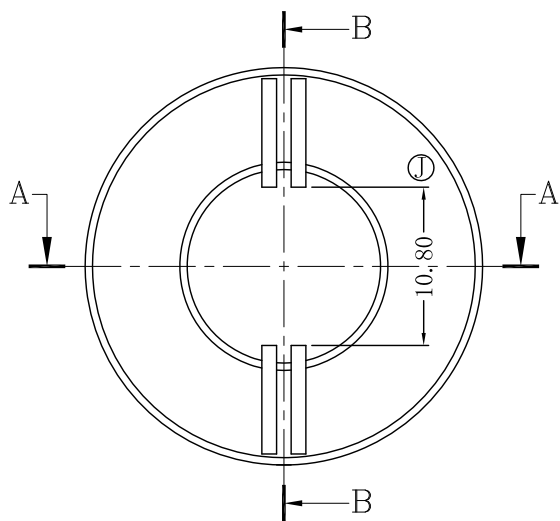


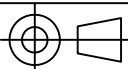
A-A SECTION



B-B SECTION



| REV. | REVISIONS REC. | DATE. | REV. | REVISIONS REC. | DATE. |
|------|---------------------------------|-----------|------|----------------|-------|
| B. | H尺寸由14.8改为14.6, G尺寸由14.0改为13.9. | 2009.4.14 | | | |
| | | | | | |

| | | | | | | |
|---|--------------------|--------------|---|--------------------------|-------------------------------|-----------|
| DRAWN DRAFTED BY CXC | TOLERANCES | 0<L≤4 ±0.1 | ANGLE: ±1° | TITLE: T25 CASE | | |
| | | 4<L≤16 ±0.2 | | | | |
| CHECKED APPROVED BY HZP | PIN PITCH ±0.20 | 16<L≤63 ±0.3 | UNIT: MM | BOBBIN MATERIAL: PBT | UL REC. UL 94V-0 | |
| | | 壁厚 ±0.15 | | TERMINAL MAT: NO WIRE | PIN TENSION LOAD: 0 kg MIN | |
| MX 东莞市铭兴电子有限公司 DONG GUAN MING XING ELECTRONCTS CO., LTD TEL:0769-86369622 86011822 FAX:0769-86369611 | | | SCALE: 1/1 | DATE: 2008.10.08 | DRAWING NO: MX-C006 | REV. B |
| | | |  | | | |