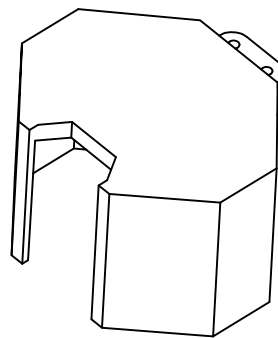
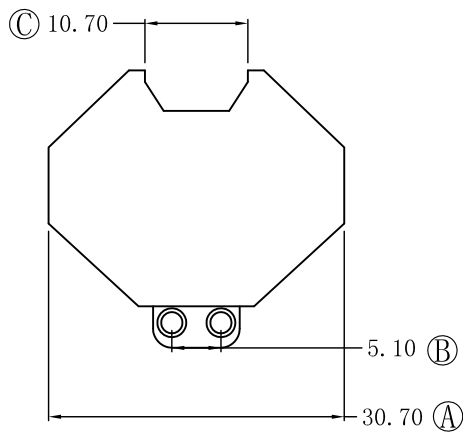
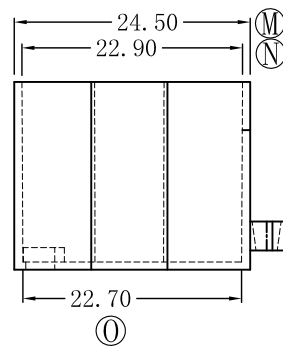
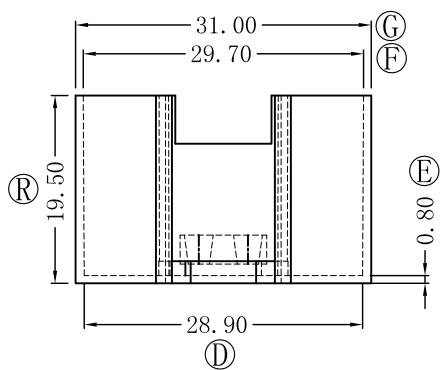
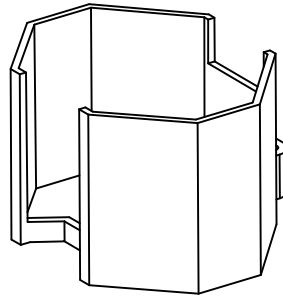
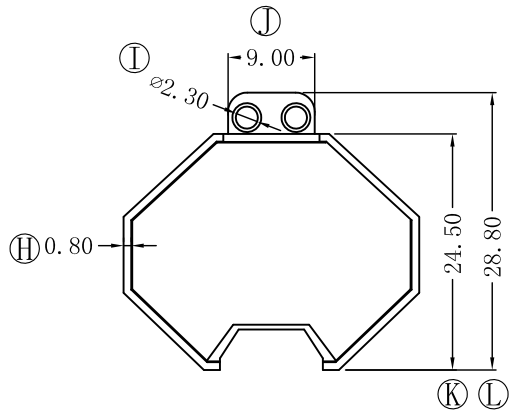


与MX-C023两个孔大小不同



REV.	REVISIONS REC.	DATE.	REV.	REVISIONS REC.	DATE.
B	进胶缺口处精位, 由1.0MM改到0.4MM $\triangle B$	15.4.15			
C	Q尺寸由5.00MM改为3.00MM	15.12.18			

DRAWN DRAFTED BY	HZX	TOLERANCES		ANGLE: $\pm 1^\circ$	TITLE: CASE	
		0<L≤4 ±0.1	PIN PITCH ±0.20		UNIT: MM	BOBBIN MATERIAL: PBT
CHECKED APPROVED BY	HZZ	4<L≤16 ±0.2		SCALE: 1/1		
		16<L≤63 ±0.3	DATE: 2014.10.20		DRAWING NO: MX-C038	REV. C
壁 厚 ±0.15		DONG GUAN MING XING ELECTRONCTS CO., LTD				
TEL:0769-86369622 86011822		FAX:0769-86369611				

MX 东莞市铭兴电子有限公司

DONG GUAN MING XING ELECTRONCTS CO., LTD

TEL:0769-86369622 86011822

FAX:0769-86369611



DATE: 2014.10.20

DRAWING NO: MX-C038

REV. C